



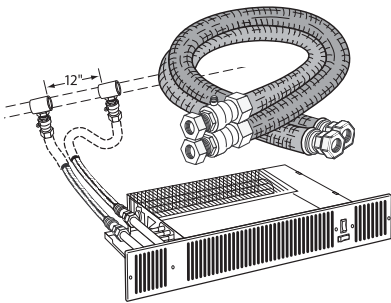
**MYSON**

# Fan Convactor LIST PRICES CANADA - GST not included

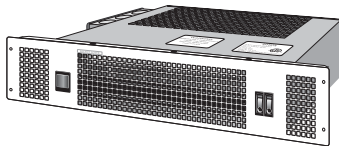
EFFECTIVE: 1 July 2010



Whispa III 5000  
Whispa III 7000  
Whispa III 9000



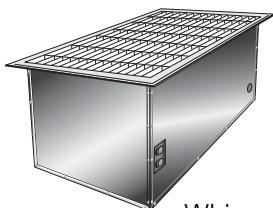
Whispa EZ Hose Kit



Whispa E50 Electric



Whispa III 5000 Wall Mount



Whispa III 5000  
Floor Mount

## KICKSPACE SERIES - HYDRONIC AND ELECTRIC

Model	Mounting	List Price	Shipping Weight (lbs)
Whispa III 5000	Under Counter Unit - Hydronic	\$367	11
Whispa III 7000	Under Counter Unit - Hydronic	448	13
Whispa III 9000	Under Counter Unit - Hydronic	514	15
Whispa III 5000 EZ	Under Counter Unit with 3' Plug-in Cord and EZ-Hose Kit	470	15
Whispa III 7000 EZ	Under Counter Unit with 3' Plug-in Cord and EZ-Hose Kit	543	17
Whispa III 9000 EZ	Under Counter Unit with 3' Plug-in Cord and EZ-Hose Kit	609	19
Whispa E50	Under Counter Unit - Electric	380	10
EZ Hose Kit	(2) - 30" Hoses (rated @ 250° F, 100 psi) with 1/2" Compression Fittings and Slotted Shaft Ball Valves	185	4

## RECESSED WALL AND FLOOR SERIES

Model	Mounting	List Price	Shipping Weight (lbs)
Whispa III 5000 WM	Wall Mount Recessed - Complete Unit	\$579	18
Whispa III 9000 WM	Wall Mount Recessed - Complete Unit	697	21
Whispa III 5000 FM	Floor Mount Recessed - Complete Unit	661	15

## COMMERCIAL RECESSED UNIT WALL SERIES

Model	Mounting	List Price	Shipping Weight (lbs)
Whispa III 5000 RCU	Recessed Wall Unit with 24V Transformer, Solenoid Valve, Flow Control, Shut-offs, and Purge Valve	\$ 829	25
Whispa III 9000 RCU	Recessed Wall Unit with 24V Transformer, Solenoid Valve, Flow Control, Shut-offs, and Purge Valve	976	29
Whispa III 12000 RCU	Recessed Wall Unit with 24V Transformer, Solenoid Valve, Flow Control, Shut-offs, and Purge Valve	1,123	38



Lo-Line RC



Slim-Line RC



Hi-Line RC



Lo-Line RC HC



CSU Fan Convactor  
Floor Mount

**WALL MOUNT DESIGNER SERIES (HEATING ONLY)**

Model	Mounting	List Price	Shipping Weight (lbs)
Hi-Line 20-14 RC	Wall Mount Unit w/ Electronic Control Board and Remote Control - heat only	\$1,225	33
Hi-Line 15-10 RC	Wall Mount Unit w/ Electronic Control Board and Remote Control - heat only	976	28
Hi-Line 10-6 RC	Wall Mount Unit w/ Electronic Control Board and Remote Control - heat only	859	24
Hi-Line 7-4 RC	Wall Mount Unit w/ Electronic Control Board and Remote Control - heat only	785	18
Lo-Line 19-15 RC	Wall Mount Unit w/ Electronic Control Board and Remote Control - heat only	1,358	52
Lo-Line 14-10 RC	Wall Mount Unit w/ Electronic Control Board and Remote Control - heat only	1,160	43
Lo-Line 9-6 RC	Wall Mount Unit w/ Electronic Control Board and Remote Control - heat only	1,013	25
Lo-Line 6-4 RC	Wall Mount Unit w/ Electronic Control Board and Remote Control - heat only	932	20
Slim Line RC	Wall Mount Unit w/ Electronic Control Board and Remote Control - heat only	1,395	40

**WALL MOUNT DESIGNER SERIES (HEATING AND COOLING)**

Model	Mounting	List Price	Shipping Weight (lbs)
Lo-Line HC 19-15 RC	Wall Mount Unit with Electronic Control Board and Remote Control	\$1,534	52
Lo-Line HC 14-10 RC	Wall Mount Unit with Electronic Control Board and Remote Control	1,342	43
Lo-Line HC 9-6 RC	Wall Mount Unit with Electronic Control Board and Remote Control	1,196	25
Lo-Line HC 6-4 RC	Wall Mount Unit with Electronic Control Board and Remote Control	976	20

**WALL MOUNT OR FLOOR BUILDER SERIES**

Model	Mounting	List Price	Shipping Weight (lbs)
CSU-23M	Wall or Floor Unit	\$1,005	31
CSU-15M	Wall or Floor Unit	859	25
CSU-10M	Wall or Floor Unit	712	20



<b>WHISPA III FAN/MOTOR ASSEMBLIES</b>		
Model	Description	List Price
FCP1202026	Fan Motor for Whispa III 5000, Whispa III 5000WM and Whispa III 5000 RCU	\$147
FCP1202027	Fan Motor for Whispa III 7000 and Whispa III 5000 FM	164
FCP1202028	Fan Motor for Whispa III 9000, Whispa III 9000WM and Whispa III 9000 RCU	188
FCP1202029	Fan Motor for Lo-Line RC 6-4, Lo-Line RC 6-4 HC, and Hi-Line RC 7-4	159
FCP1202030	Fan Motor for Lo-Line RC 9-6, Lo-Line RC 9-6 HC, and Hi-Line RC 10-6	182
FCP1202031	Fan Motor for Lo-Line RC 14-10, Lo-Line RC 14-10 HC, Hi-Line 15-10 RC, and Whispa III 12000 RCU	247
FCP1202032	Fan Motor for Lo-Line RC 19-15, Lo-Line RC 19-15 HC and Hi-Line 20-14 RC	270

<b>WHISPA II, HI-LINE, LOW-LINE FAN/MOTOR ASSEMBLIES</b>		
Model	Description	List Price
FCP7100070	Fan/Motor for WH II 5000 & WH II 5000 W and WH II 5000 FM	\$150
FCP7100071	Fan/Motor for WH II 9000 & WH II 9000 W	155
FCP7100019	WH 50 or WH 90, one piece Fan/Motor Assembly	139
FCP7100026	Single, Super/Classic, CSU-B, Blade (Models 10 or 11)	179
FCP7100024	Double, Super/Classic, CSU-B, Blade (Models 15, 23 or 25)	230
FCP7100023	Single, Super/Classic, CSU-B, Blade (Models 23 or 25)	163
FCP7100035	Single Blade for WH 120	142
FCP7100017	Single Blade for Slim Line RC and Vertical 16	184
FCP7100047	Fan/Motor for Hi-Line 7-4	151
FCP7100048	Fan/Motor for Hi-Line 10-6	166
FCP7100049	Fan/Motor for Hi-Line 15-10	210
FCP7100050	Fan/Motor for Hi-Line 20-14	230
FCP7100061	Fan/Motor for Lo-Line 6-4	146
FCP7100062	Fan/Motor for Lo-Line 9-6, CSU-10-M	167
FCP7100063	Fan/Motor for Lo-Line 14-10, CSU-15-M	211
FCP7100064	Fan/Motor for Lo-Line 19-15, CSU-23-M	234
FCP7100084	Fan/Motor for Lo-Line HC 6-4	159
FCP7100085	Fan/Motor for Lo-Line HC 9-6	185
FCP7100086	Fan/Motor for Lo-Line HC 14-10	234
FCP7100087	Fan/Motor for Lo-Line HC 19-15	257

<b>MISCELLANEOUS</b>		
Model	Mounting	List Price
FCP1250003	Ball Valve for RCU Units - 1/2"/15 mm each	\$51
FCP5000061	Grill for Whispa III 5000	24
FCP5000062	Grill for Whispa III 7000	24
FCP5000131	Grill for Whispa III 9000	24
FCP7000547	Grill for Whispa III 5000WM	45
FCP7000548	Grill for Whispa III 9000WM	47
FCP7000550	Grill for Whispa III 5000 RCU	59
FCP7000551	Grill for Whispa III 9000 RCU	64
FCP7000552	Grill for Whispa III 12000 RCU	71
FCP7000553	Grill for Whispa III 5000 FM	88



**THERMOSTATS, SWITCHES, BOARDS & CONTROLS**

Model	Description	List Price
FCP1263018	Digital Circuit Board for Lo-Line RC, Hi-Line RC and Slimline RC Units	\$114
FCP1263017	Fan Controls for Lo-Line RC, Hi-Line RC and Slimline RC Units	95
FCP1263016	Remote Control for Lo-Line RC, Hi-line RC and Slimline RC	28
FCP1300024	Winter/Summer Switch - all models	8
FCP1300025	Low/Off/Boost - all Whispa III	8
FCP1300011	Low/Off/Boost - all Whispa II	10
FCP1260007	Low Cut-out, 109-on, 91-off, Blue Dot	13

**HEAT EXCHANGERS**

Model	Description	List Price
FCP8900099	Heat Exchanger, WH III 5000 and Wall Unit	\$ 62
FCP8900100	Heat Exchanger, WH III 7000	88
FCP8900102	Heat Exchanger, WH III 9000 and Wall Unit	95
FCP8900103	Heat Exchanger, WH III 5000 RCU Unit	114
FCP8900104	Heat Exchanger, WH III 9000 RCU Unit	153
FCP8900105	Heat Exchanger, WH III12000 RCU Unit	187
FCP8900106	Heat Exchanger, WH III 5000 Floor Unit	83
FCP8900087	Heat Exchanger, Hi-Line RC 7-4	114
FCP8900088	Heat Exchanger, Hi-Line RC 10-6	133
FCP8900089	Heat Exchanger, Hi-Line RC 15-10	168
FCP8900090	Heat Exchanger, Hi-Line RC 20-14	216
FCP8900091	Heat Exchanger, Lo-Line RC 6-4	117
FCP8900092	Heat Exchanger, Lo-Line RC 9-6	135
FCP8900093	Heat Exchanger, Lo-Line RC 14-10	172
FCP8900093	Heat Exchanger, Lo-Line RC 19-15	220
FCP8900054	Heat Exchanger, WH II 5000 and Wall Unit	139
FCP8900055	Heat Exchanger, WH II 9000 and Wall Unit	176
FCP8900021	Heat Exchanger, PK 50 or WH 50	135
FCP8900022	Heat Exchanger, PK 90 or WH 90	143
FCP8900000	Heat Exchanger, Super/Classic Models 10/11	152
FCP8900001	Heat Exchanger, Super/Classic Models 15/16	166
FCP8900002	Heat Exchanger, Super/Classic Models 23/25	179
FCP8900028	Heat Exchanger, CSU 23	151
FCP8900027	Heat Exchanger, CSU I5	139

**NOTICE:**

If you don't see the part you need, please call MYSON at 800-698-9690.

**FREIGHT:** All freight FOB Colchester, Vermont. For quantities greater than 25 pieces, call factory for quotation.

**PRICES SUBJECT TO CHANGE WITHOUT NOTICE**

**TERMS:** 2% 10 days, net 30 days. Finance charge on accounts past 30 days = 1½% / month. (18% /annum, 25% restocking fee)

**CANADA SHIPMENTS:**  
**GST not included. Prices include Border Clearance and Customs Fees.**

Fan Convectors Limited Warranty  
MYSON warrants the original purchaser that products manufactured and/or supplied by them will be free from defects in materials and workmanship under normal conditions of use, when properly installed and maintained in accordance with MYSON's instructions for a period of 36 months (12 months for Whispa E50). (Hydronic heat exchangers have a 10 year warranty.) During this warranty period, MYSON will, at its option, repair or replace any product, or part thereof, which shall be returned to the MYSON factory and determined by MYSON to be defective.

**The Parts Warranty:** MYSON warrants replacement parts, when properly installed and maintained for a period of 120 days from the date of purchase.

There are no warranties, expressed or implied, that extend beyond this warranty description. In no event will MYSON be liable for labor or consequential damages.

