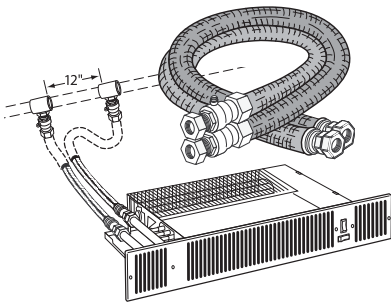
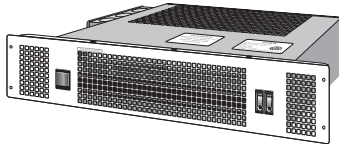




Whispa III 5000  
Whispa III 7000  
Whispa III 9000



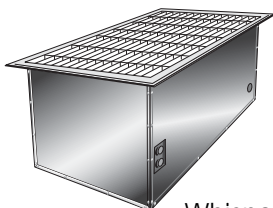
Whispa EZ Hose Kit



Whispa E50 Electric



Whispa III 5000 Wall Mount



Whispa III 5000  
Floor Mount

## KICKSPACE SERIES - HYDRONIC AND ELECTRIC

Model	Mounting	List Price	Shipping Weight (lbs)
Whispa III 5000	Under Counter Unit - Hydronic	\$263	11
Whispa III 7000	Under Counter Unit - Hydronic	321	13
Whispa III 9000	Under Counter Unit - Hydronic	368	15
Whispa III 5000 EZ	Under Counter Unit with 3' Plug-in Cord and EZ-Hose Kit	337	15
Whispa III 7000 EZ	Under Counter Unit with 3' Plug-in Cord and EZ-Hose Kit	389	17
Whispa III 9000 EZ	Under Counter Unit with 3' Plug-in Cord and EZ-Hose Kit	437	19
Whispa E50	Under Counter Unit - Electric	273	10
EZ Hose Kit	(2) - 30" Hoses (rated @ 250° F, 100 psi) with 1/2" Compression Fittings and Slotted Shaft Ball Valves	133	4

## RECESSED WALL AND FLOOR SERIES

Model	Mounting	List Price	Shipping Weight (lbs)
Whispa III 5000 WM	Wall Mount Recessed - Complete Unit	\$416	18
Whispa III 9000 WM	Wall Mount Recessed - Complete Unit	500	21
Whispa III 5000 FM	Floor Mount Recessed - Complete Unit	474	15

## COMMERCIAL RECESSED UNIT WALL SERIES

Model	Mounting	List Price	Shipping Weight (lbs)
Whispa III 5000 RCU	Recessed Wall Unit with 24V Transformer, Solenoid Valve, Flow Control, Shut-offs, and Purge Valve	\$595	25
Whispa III 9000 RCU	Recessed Wall Unit with 24V Transformer, Solenoid Valve, Flow Control, Shut-offs, and Purge Valve	700	29
Whispa III 12000 RCU	Recessed Wall Unit with 24V Transformer, Solenoid Valve, Flow Control, Shut-offs, and Purge Valve	805	38



Lo-Line RC



Slim-Line RC



Hi-Line RC



Lo-Line RC HC



CSU Fan Convactor  
Floor Mount

**WALL MOUNT DESIGNER SERIES (HEATING ONLY)**

Model	Mounting	List Price	Shipping Weight (lbs)
Hi-Line 20-14 RC	Wall Mount Unit w/ Electronic Control Board and Remote Control - heat only	\$ 879	33
Hi-Line 15-10 RC	Wall Mount Unit w/ Electronic Control Board and Remote Control - heat only	700	28
Hi-Line 10-6 RC	Wall Mount Unit w/ Electronic Control Board and Remote Control - heat only	616	24
Hi-Line 7-4 RC	Wall Mount Unit w/ Electronic Control Board and Remote Control - heat only	563	18
Lo-Line 19-15 RC	Wall Mount Unit w/ Electronic Control Board and Remote Control - heat only	974	52
Lo-Line 14-10 RC	Wall Mount Unit w/ Electronic Control Board and Remote Control - heat only	832	43
Lo-Line 9-6 RC	Wall Mount Unit w/ Electronic Control Board and Remote Control - heat only	726	25
Lo-Line 6-4 RC	Wall Mount Unit w/ Electronic Control Board and Remote Control - heat only	668	20
Slim Line RC	Wall Mount Unit w/ Electronic Control Board and Remote Control - heat only	1,000	40

**WALL MOUNT DESIGNER SERIES (HEATING AND COOLING)**

Model	Mounting	List Price	Shipping Weight (lbs)
Lo-Line HC 19-15 RC	Wall Mount Unit with Electronic Control Board and Remote Control	\$1,100	52
Lo-Line HC 14-10 RC	Wall Mount Unit with Electronic Control Board and Remote Control	963	43
Lo-Line HC 9-6 RC	Wall Mount Unit with Electronic Control Board and Remote Control	858	25
Lo-Line HC 6-4 RC	Wall Mount Unit with Electronic Control Board and Remote Control	700	20

**WALL MOUNT OR FLOOR BUILDER SERIES**

Model	Mounting	List Price	Shipping Weight (lbs)
CSU-23M	Wall or Floor Unit	\$721	31
CSU-15M	Wall or Floor Unit	616	25
CSU-10M	Wall or Floor Unit	511	20



<b>WHISPA III FAN/MOTOR ASSEMBLIES</b>		
Model	Description	List Price
FCP1202026	Fan Motor for Whispa III 5000, Whispa III 5000WM and Whispa III 5000 RCU	\$105
FCP1202027	Fan Motor for Whispa III 7000 and Whispa III 5000 FM	118
FCP1202028	Fan Motor for Whispa III 9000, Whispa III 9000WM and Whispa III 9000 RCU	135
FCP1202029	Fan Motor for Lo-Line RC 6-4, Lo-Line RC 6-4 HC, and Hi-Line RC 7-4	114
FCP1202030	Fan Motor for Lo-Line RC 9-6, Lo-Line RC 9-6 HC, and Hi-Line RC 10-6	131
FCP1202031	Fan Motor for Lo-Line RC 14-10, Lo-Line RC 14-10 HC, Hi-Line 15-10 RC, and Whispa III 12000 RCU	177
FCP1202032	Fan Motor for Lo-Line RC 19-15, Lo-Line RC 19-15 HC and Hi-Line 20-14 RC	194

<b>WHISPA II, HI-LINE, LOW-LINE FAN/MOTOR ASSEMBLIES</b>		
Model	Description	List Price
FCP7100070	Fan/Motor for WH II 5000 & WH II 5000 W and WH II 5000 FM	\$107
FCP7100071	Fan/Motor for WH II 9000 & WH II 9000 W	112
FCP7100019	WH 50 or WH 90, one piece Fan/Motor Assembly	100
FCP7100026	Single, Super/Classic, CSU-B, Blade (Models 10 or 11)	128
FCP7100024	Double, Super/Classic, CSU-B, Blade (Models 15, 23 or 25)	165
FCP7100023	Single, Super/Classic, CSU-B, Blade (Models 23 or 25)	117
FCP7100035	Single Blade for WH 120	102
FCP7100017	Single Blade for Slim Line RC and Vertical 16	132
FCP7100047	Fan/Motor for Hi-Line 7-4	108
FCP7100048	Fan/Motor for Hi-Line 10-6	119
FCP7100049	Fan/Motor for Hi-Line 15-10	151
FCP7100050	Fan/Motor for Hi-Line 20-14	165
FCP7100061	Fan/Motor for Lo-Line 6-4	104
FCP7100062	Fan/Motor for Lo-Line 9-6, CSU-10-M	120
FCP7100063	Fan/Motor for Lo-Line 14-10, CSU-15-M	152
FCP7100064	Fan/Motor for Lo-Line 19-15, CSU-23-M	167
FCP7100084	Fan/Motor for Lo-Line HC 6-4	114
FCP7100085	Fan/Motor for Lo-Line HC 9-6	133
FCP7100086	Fan/Motor for Lo-Line HC 14-10	167
FCP7100087	Fan/Motor for Lo-Line HC 19-15	184

<b>MISCELLANEOUS</b>		
Model	Mounting	List Price
FCP1250003	Ball Valve for RCU Units - 1/2"/15 mm each	\$37
FCP5000061	Grill for Whispa III 5000	17
FCP5000062	Grill for Whispa III 7000	17
FCP5000131	Grill for Whispa III 9000	17
FCP7000547	Grill for Whispa III 5000WM	32
FCP7000548	Grill for Whispa III 9000WM	34
FCP7000550	Grill for Whispa III 5000 RCU	42
FCP7000551	Grill for Whispa III 9000 RCU	46
FCP7000552	Grill for Whispa III 12000 RCU	51
FCP7000553	Grill for Whispa III 5000 FM	63



## THERMOSTATS, SWITCHES, BOARDS & CONTROLS

Model	Description	List Price
FCP1263018	Digital Circuit Board for Lo-Line RC, Hi-Line RC and Slimline RC Units	\$82
FCP1263017	Fan Controls for Lo-Line RC, Hi-Line RC and Slimline RC Units	68
FCP1263016	Remote Control for Lo-Line RC, Hi-line RC and Slimline RC	21
FCP1300024	Winter/Summer Switch - all models	\$5
FCP1300025	Low/Off/Boost - all Whispa III	\$5
FCP1300011	Low/Off/Boost - all Whispa II	\$7
FCP1260007	Low Cut-out, 109-on, 91-off, Blue Dot	\$9

## HEAT EXCHANGERS

Model	Description	List Price
FCP8900099	Heat Exchanger, WH III 5000 and Wall Unit	\$ 45
FCP8900100	Heat Exchanger, WH III 7000	63
FCP8900102	Heat Exchanger, WH III 9000 and Wall Unit	68
FCP8900103	Heat Exchanger, WH III 5000 RCU Unit	82
FCP8900104	Heat Exchanger, WH III 9000 RCU Unit	111
FCP8900105	Heat Exchanger, WH III12000 RCU Unit	135
FCP8900106	Heat Exchanger, WH III 5000 Floor Unit	60
FCP8900087	Heat Exchanger, Hi-Line RC 7-4	82
FCP8900088	Heat Exchanger, Hi-Line RC 10-6	96
FCP8900089	Heat Exchanger, Hi-Line RC 15-10	121
FCP8900090	Heat Exchanger, Hi-Line RC 20-14	156
FCP8900091	Heat Exchanger, Lo-Line RC 6-4	85
FCP8900092	Heat Exchanger, Lo-Line RC 9-6	97
FCP8900093	Heat Exchanger, Lo-Line RC 14-10	123
FCP8900093	Heat Exchanger, Lo-Line RC 19-15	157
FCP8900054	Heat Exchanger, WH II 5000 and Wall Unit	100
FCP8900055	Heat Exchanger, WH II 9000 and Wall Unit	126
FCP8900021	Heat Exchanger, PK 50 or WH 50	97
FCP8900022	Heat Exchanger, PK 90 or WH 90	103
FCP8900000	Heat Exchanger, Super/Classic Models 10/11	109
FCP8900001	Heat Exchanger, Super/Classic Models 15/16	119
FCP8900002	Heat Exchanger, Super/Classic Models 23/25	128
FCP8900028	Heat Exchanger, CSU 23	108
FCP8900027	Heat Exchanger, CSU I5	100

### NOTICE:

If you don't see the part you need, please call MYSON at 800-698-9690.

**FREIGHT:** All freight FOB Colchester, Vermont. For quantities greater than 25 pieces, call factory for quotation.

**PRICES SUBJECT TO CHANGE WITHOUT NOTICE**

**TERMS:** 2% 10 days, net 30 days. Finance charge on accounts past 30 days = 1½% / month. (18% / annum, 25% restocking fee)

### Fan Convectors Limited Warranty

MYSON warrants the original purchaser that products manufactured and/or supplied by them will be free from defects in materials and workmanship under normal conditions of use, when properly installed and maintained in accordance with MYSON's instructions for a period of 36 months (12 months for Whispa E50). (Hydronic heat exchangers have a 10 year warranty.) During this warranty period, MYSON will, at its option, repair or replace any product, or part thereof, which shall be returned to the MYSON factory and determined by MYSON to be defective.

**The Parts Warranty:** MYSON warrants replacement parts, when properly installed and maintained for a period of 120 days from the date of purchase.

There are no warranties, expressed or implied, that extend beyond this warranty description. In no event will MYSON be liable for labor or consequential damages.

