

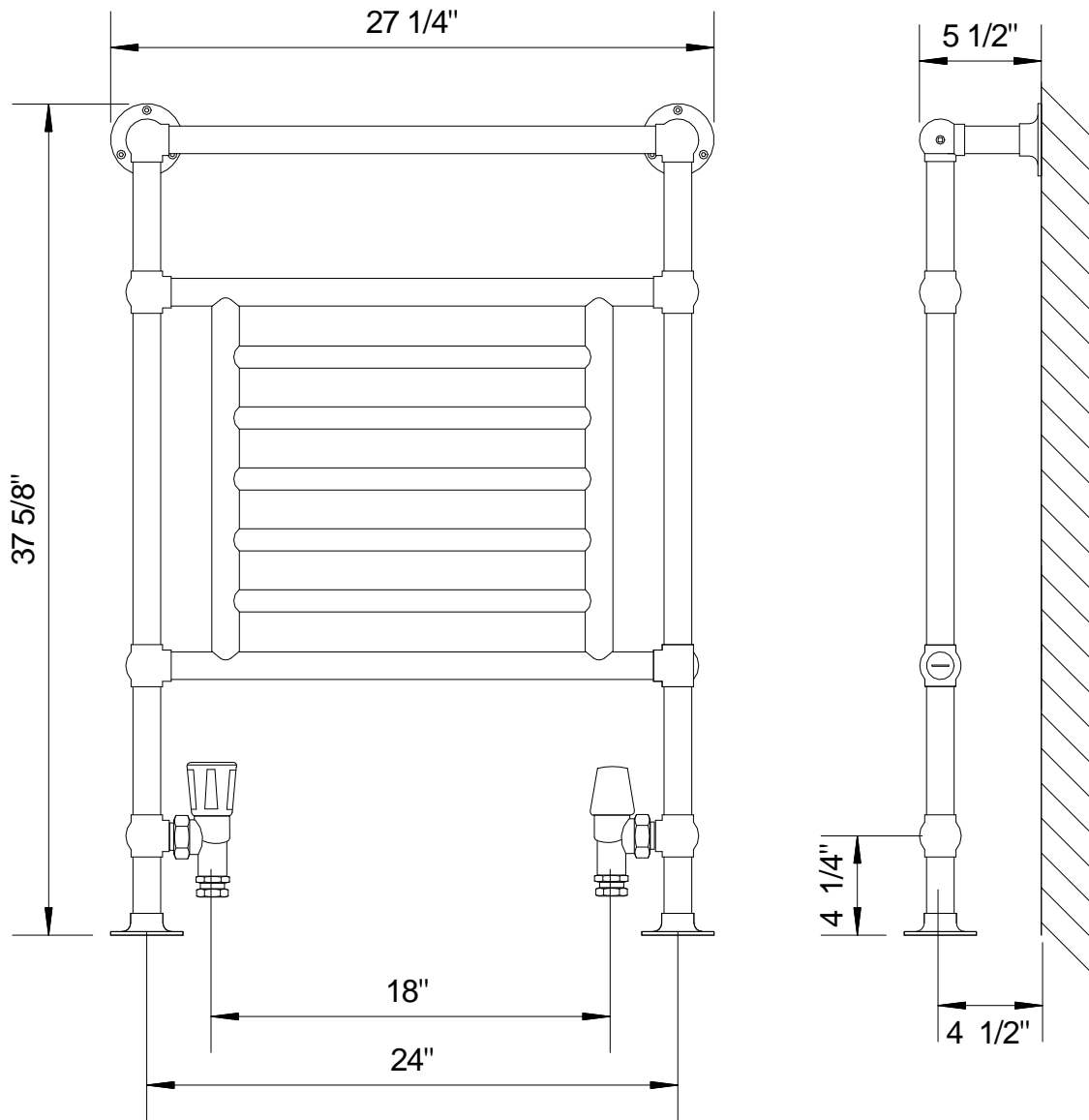


MYSON

Awe B27-1 Traditional HYDRONIC

Technical Information

- Dezincification Resistant Brass
- 1-1/4" Diameter Brass Tubing
- 1/2" Copper rough-in
- Modern Valves
- 1080 BTUH @ 155 EWT
- 55 lbs.



B27-1

No Scale

REV A 9/15/09