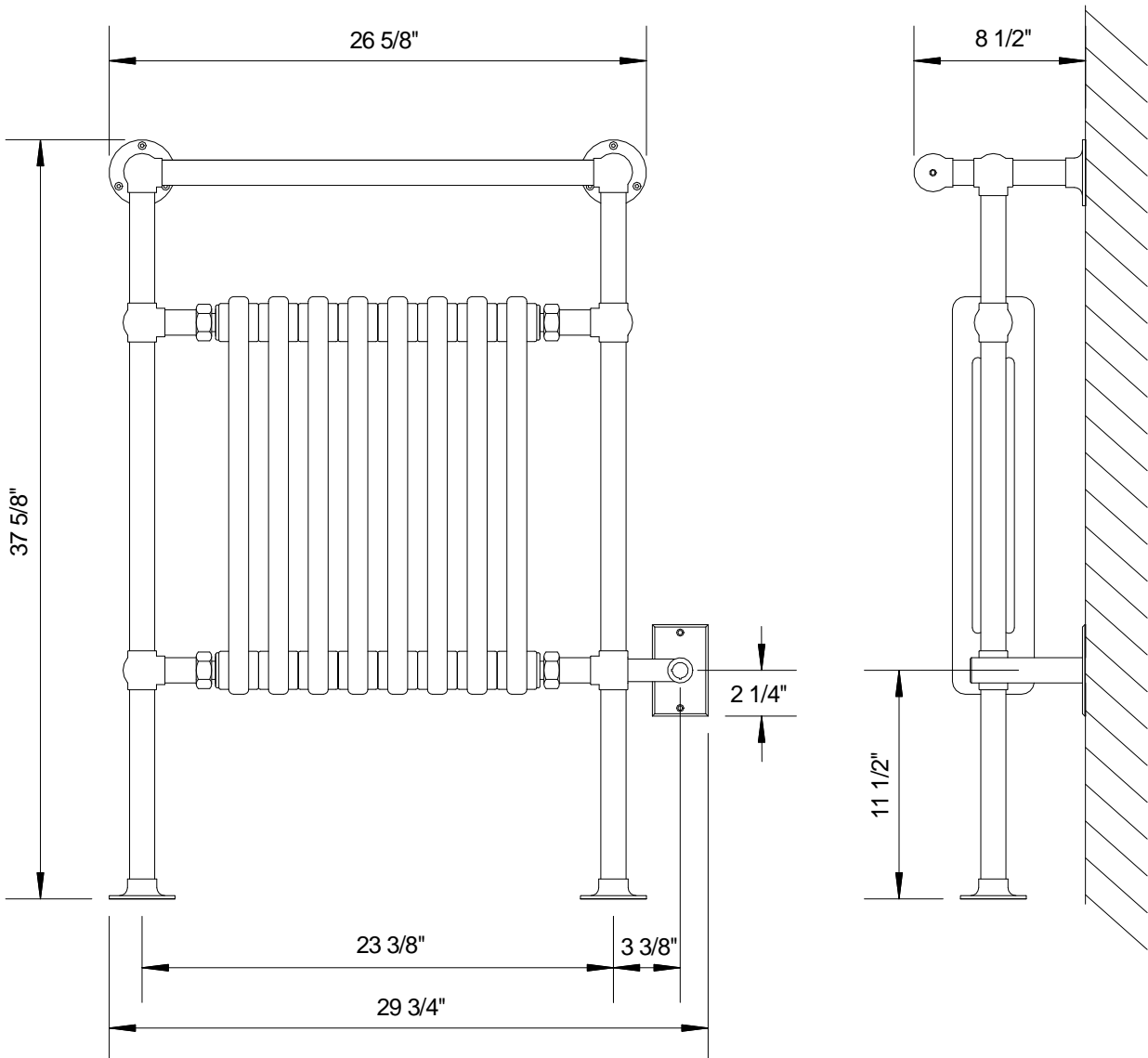




Dee EVR1 Traditional ELECTRIC

Technical Information

- 120VAC 60Hz 385W 3.5A*
- 1-1/4"/1" Diameter Tubes
- Smart Thermo Control Element
- Brass Construction



*Represents draw at steady state. Power could be higher during warm up.

EVR1
No Scale
REVA 11/07/09