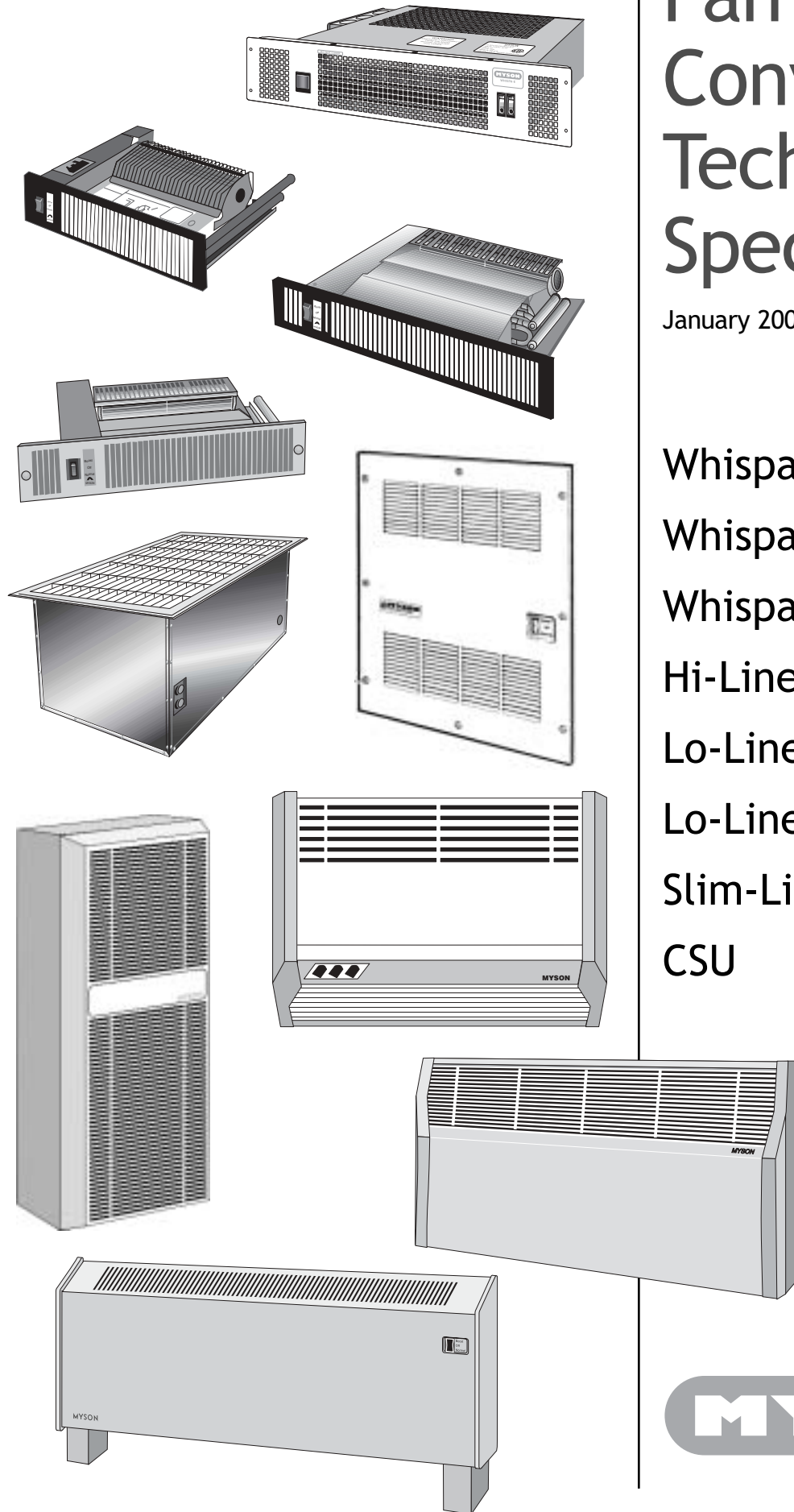


# Fan Convector Technical Specifications

January 2006—Rev A



Whispa II

Whispa 50

Whispa E

Hi-Line

Lo-Line

Lo-Line HC

Slim-Line

CSU

**MYSON**

# Hydronic Fan Convector



















Fan Convector are designed to provide heat in a minimum of space using forced convection. MYSON's efficient tangential fan design forces air uniformly across a low pressure drop heat exchanger, resulting in a high heat output from a very compact space.

MYSON Fan Convector all have several features in common:

- Fan bearings are porous bronze sleeves for longer life and quieter service
- Heat exchangers feature copper tubing expanded onto aluminum fins for greater heat transfer efficiency
- Each model has been certified by independent testing by ATL\* to deliver 100% of the published heat output
- Each unit is manufactured to the high standards of MYSON's ISO 9002 certification
- Each unit comes with at least a 3 year warranty; coverage for heat exchangers is extended to 10 years

Technical specifications for the MYSON Fan Convector family are given on the following pages, showing specific dimensions and configuration, heat output, weights and head requirements.

## COMPARISON OF MAJOR FEATURES

	Whispa II Kickspace Heater	Whispa II Recessed Wall Heater	Whispa II Recessed Floor Heater	Whispa 50 Kickspace Heater	Whispa E Kickspace Heater	Hi-Line Fan Convector	Lo-Line Fan Convector	Lo-Line HC Fan Convector	Slim-Line Fan Convector	CSU
Page	1	3	4	5	6	7	8	9	10	11
Fan Unit Bearings	•	•	•	•	•	•	•	•	•	•
Controls	2 Speed	2 Speed	2 Speed	2 Speed	2 Speed	2 Speed	3 Speed	3 Speed	3 Speed	2 Speed
Heat Exchanger	•	•	•	•	•	•	•	•	•	•
Construction	Zinc-coated, painted steel, hardened aluminum grill, epoxy/polyester baked-on finish	Zinc-coated, painted steel, hardened aluminum grill, epoxy/polyester baked-on finish	Aluminum with mild steel grill & epoxy/polyester baked-on finish	Zinc-coated, hardened aluminum grill, epoxy/polyester baked-on finish	Zinc-coated, painted steel	Zinc-coated, painted steel	Zinc-coated, painted steel	Zinc-coated, painted steel	Zinc-coated, painted steel	Zinc-coated, epoxy/polyester baked-on finish
Water Connections	1/2" Sweat Right Rear Corner	1/2" Sweat Bottom Left Corner	1/2" Sweat Side	1/2" Sweat Right Rear Corner		1/2" Sweat Upper Right	1/2" Sweat Lower Left Corner	1/2" Sweat Lower Left Corner	1/2" Compression Lower Left Corner	1/2" Sweat Upper Left Corner
Electric Connections	Rear 110V 60Hz	Rear 110V 60Hz	Rear 110V 60Hz	Rear 110V 60Hz		Left Rear 110V 60Hz	Right Rear 110V 60Hz	Right Rear 110V 60Hz	Right Rear 110V 60Hz	Right Rear 110V 60Hz
Tamper-Proof Cover							•	•	•	
Warranty	10 Year Heat Exchanger, 3 Year Fan Motor	10 Year Heat Exchanger, 3 Year Fan Motor	10 Year Heat Exchanger, 3 Year Fan Motor	10 Year Heat Exchanger, 3 Year Fan Motor	10 Year Heat Exchanger, 3 Year Fan Motor	10 Year Heat Exchanger, 3 Year Fan Motor	10 Year Heat Exchanger, 3 Year Fan Motor	10 Year Heat Exchanger, 3 Year Fan Motor	10 Year Heat Exchanger, 3 Year Fan Motor	10 Year Heat Exchanger, 3 Year Fan Motor
Approvals				 						
Certifications	 ATL Certified*	 ATL Certified*	 ATL Certified*	 ATL Certified*	 ATL Certified*	 ATL Certified*	 ATL Certified*	 ATL Certified*	 ATL Certified*	 ATL Certified*
BTU Range**	5000 4,247-6,188 9000 8,639-10,875	5000W 3,736-5,308 9000W 6,522-9,571	5000 FM 4,279-6,010	WH 50 2,583-3,167	EWH 2,731-5,462	20-14 11,143-18,600 15-10 8,688-15,542 10-6 6,461-9,640 7-4 3,666-5,156	19-15 13,852-21,398 14-10 11,873-17,458 9-6 8,917-11,363 6-4 4,986-6,976	HC 19-15 13,738-21,324 HC 14-10 11,896-17,504 HC 9-6 9,038-11,506 HC 6-4 5,001-6,899	SL 16 9,072-15,293	CSU-10M 5,319-7,763 CSU-15M 7,317-10,331 CSU-23M 9,518-16,947

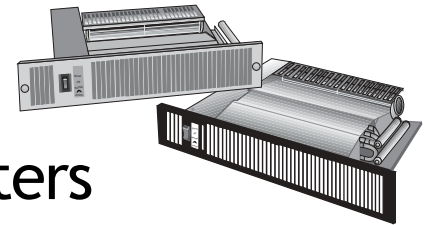
\*ATL = Automated Test Labs, Philadelphia, PA  
\*\*Based on entering water temperature of 180°F @ 3GPM

MYSON meets the highest quality manufacturing standards.



# WHISPA™ II

## A New Generation in Kickspace Heaters



### WHISPA II KICKSPACE HEATER – CERTIFIED BTU/HR OUTPUT – ENTERING AIR @ 65 °F

MODEL #	FLOW RATE GPM	FAN SPEED	AIR DELIVERY CFM	ENTERING WATER TEMPERATURE (°F), OUTPUT (BTU/hr)									
				110**	120**	130**	140	150	160	170	180	190	200
WH II 5000	1.0	Boost	93	1,744	2,240	2,737	3,234	3,731	4,228	4,724	5,310	5,718	6,215
		Normal	62	1,496	1,889	2,282	2,675	3,068	3,461	3,853	4,247	4,639	5,032
	3.0	Boost	93	2,057	2,643	3,229	3,815	4,401	4,987	5,573	6,188	6,745	7,331
		Normal	62	1,667	2,105	2,543	2,980	3,418	3,856	4,293	4,730	5,169	5,606
WH II 9000	1.0	Boost	134	4,090	4,999	5,907	6,815	7,723	8,631	9,539	10,431	11,356	12,264
		Normal	95	3,246	4,026	4,806	5,585	6,365	7,145	7,925	8,639	9,485	10,265
	3.0	Boost	134	4,269	5,217	6,165	7,113	8,060	9,008	9,956	10,875	11,852	12,799
		Normal	95	3,403	4,221	5,038	5,856	6,674	7,491	8,309	9,055	9,944	10,762

MYSON reserves the right to make changes or improvements to our products which may affect these specifications.

\*\*For output at these water temperatures, optional 107°F low temperature cut-off required.

NOTE: For proper sizing, use the rating at normal speed.

### HEAT OUTPUT COMPARISON @ 180 °F WATER TEMP

MODEL #	FLOW RATE GPM	FAN SPEED	BASEBOARD (525 BTU/FT)	C.I. RADIATORS (225 BTU/SQ FT)
WH II 5000	3	Boost/Normal	11.7 ft / 9.0 ft	27 sq ft / 21 sq ft
WH II 9000	3	Boost/Normal	20.8 ft / 17.4 ft	49 sq ft / 41 sq ft

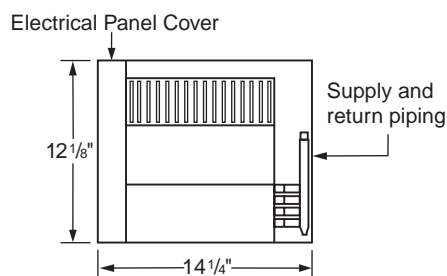
### UNIT WEIGHT (LBS)

MODEL #	UNIT WEIGHT	WEIGHT PACKED
WH II 5000	11	14
WH II 9000	15	20

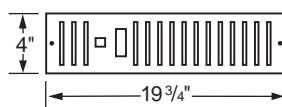
### FRICITION LOSS (HEAD)

MODEL #	FLOW RATE GPM	FT WG
WH II 5000	1.0 / 3.0	0.13 / 1.20
WH II 9000	1.0 / 3.0	0.40 / 2.77

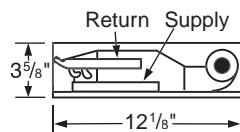
WH II 5000 Kickspace Heater



Top View



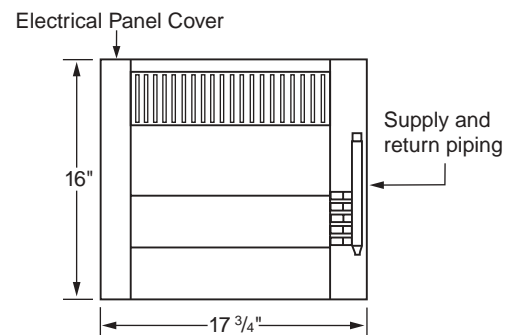
Front View Grill



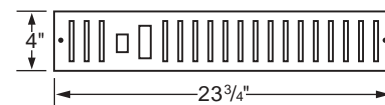
Side View



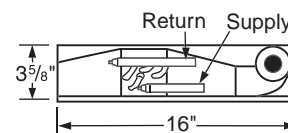
WH II 9000 Kickspace Heater



Top View



Front View Grill



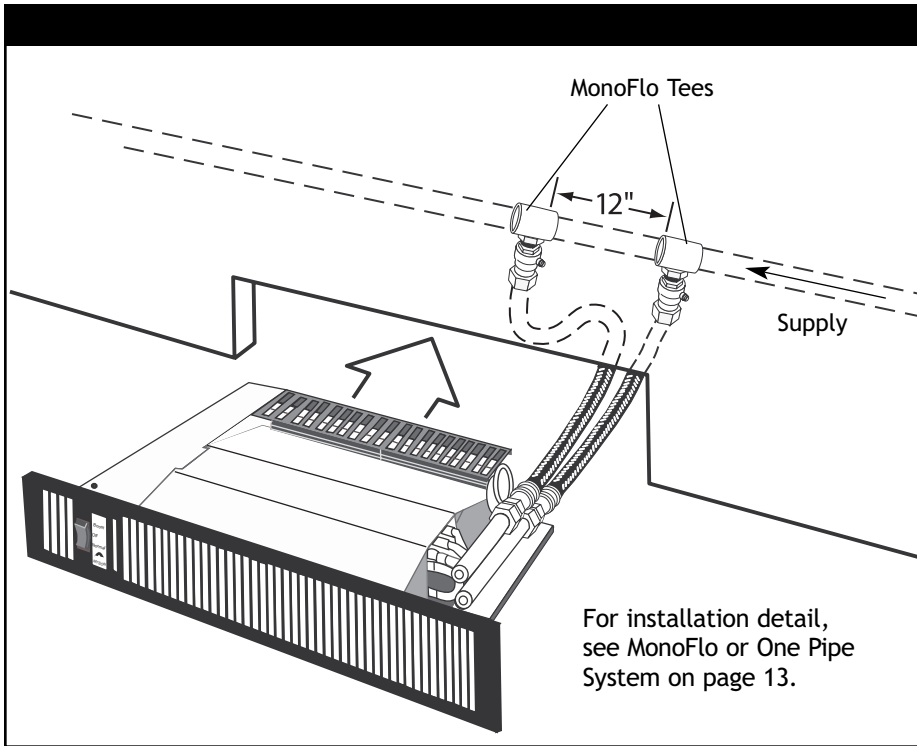
Side View

### WHISPA II KICKSPACE FAN CONVECTOR SPECIFICATIONS – Engineered to be efficient.

**Controls...** Units have a two-speed Boost/Off/Normal fan switch. For installations without a separate thermostat, all models have low-limit thermostats which close at 129°F and reopen at 109°F (±7°F).

**Construction...** The chassis is manufactured from zinc-coated painted steel. The grill is hardened aluminum with a baked epoxy polyester finish for strength and durability. Available in black or white.

**Warranty...** MYSON offers a full ten year warranty on the heat exchanger and a full three year warranty on the fan motor.



For installation detail,  
see MonoFlo or One Pipe  
System on page 13.

# EZ-Hose™ Kit

## Flexible Hose Connectors

MYSON's EZ-Hose kit is specifically designed for installation with MYSON Fan Convector. It allows the unit to be easily removed from the cabinet for quick connection and easy-access maintenance. These flexible hoses can save time and money, and they quickly solve those difficult access problems.

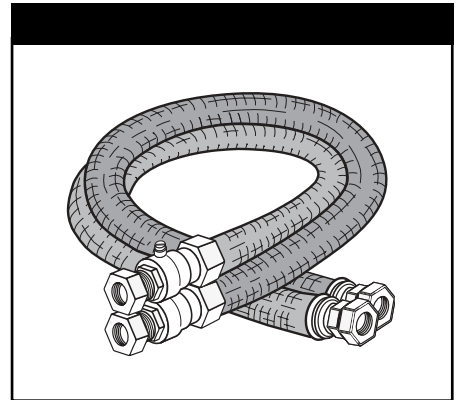
**EZ-Hose Kit... save time and money.** MYSON's hose kit is so easy to use. The flexible hoses allow you to install the MYSON Fan Convector from outside the cabinet. There's no need to remove the cabinet or cut ugly access doors in the bottom of the cabinet.

**EZ-Hose Kit... easy access installation.** MYSON's two-hose system installs in minutes. Two MonoFlo tees (not included in kit) are installed in the heating loop. The hoses are then used to connect the convector to the heating loop.

**EZ-Hose Kit... maintenance is hassle-free.** If you should need to service the MYSON Fan Convector, the EZ-Hose has an ample 30 inches of flexible hose so you can slide the unit completely out for maintenance. The Ball Valve with the slotted shut-off, enables you to disconnect the unit while maintaining the pressure of the system and you do not have to drain the system.



Simple and easy installation



## Features:

- **Flexible** – Designed with installation in mind, these 30" hoses with a 1/2" female compression fitting on one end and a ball valve with screwdriver slot on the other end, provide enough length to allow installation outside of the cabinet.
- **Tested** – Maximum operating temperature of 250°F and working pressure of 100psi.
- **Easy Installation** – Installs in a fraction of the time required for conventional pipe installation... that saves time and money.
- **Backed with confidence** – MYSON guarantees 100% satisfaction.
- **Compatibility** – May be used with both water- and antifreeze-protected heating systems.

# WHISPA™ II

## Recessed Wall Heaters



### WHISPA II RECESSED WALL HEATER – CERTIFIED BTU/HR OUTPUT – ENTERING AIR @ 65 °F

MODEL #	FLOW RATE GPM	FAN SPEED	AIR DELIVERY CFM	ENTERING WATER TEMPERATURE (°F), OUTPUT (BTU/hr)									
				110**	120**	130**	140	150	160	170	180	190	200
WH II 5000W	1.0	Boost	93	1,728	2,139	2,555	2,976	3,400	3,827	4,257	4,689	5,125	5,562
		Normal	62	1,393	1,721	2,051	2,384	2,719	3,056	3,396	3,736	4,079	4,422
	3.0	Boost	93	2,008	2,472	2,939	3,409	3,881	4,354	4,830	5,308	5,786	6,267
		Normal	62	1,619	1,988	2,359	2,731	3,104	3,478	3,853	4,229	4,605	4,983
WH II 9000W	1.0	Boost	134	3,068	3,805	4,553	5,309	6,072	6,842	7,618	8,400	9,186	9,977
		Normal	95	2,417	2,988	3,566	4,149	4,736	5,328	5,923	6,522	7,123	7,728
	3.0	Boost	134	3,558	4,396	5,244	6,098	6,958	7,825	8,696	9,571	10,451	11,335
		Normal	95	2,717	3,356	4,001	4,652	5,307	5,966	6,628	7,294	7,963	8,635

MYSON reserves the right to make changes or improvements to our products which may affect these specifications.

\*\*For output at these water temperatures, optional 107 °F low temperature cut off required.

NOTE: For proper sizing, use the rating at Normal speed.

### HEAT OUTPUT COMPARISON @ 180 °F WATER TEMP

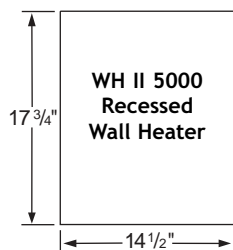
MODEL #	FLOW RATE GPM	FAN SPEED	BASEBOARD (525 BTU/FT)	C.I. RADIATORS (225 BTU/SQ FT)
WH II 5000W	3.0	Boost/Normal	10.1 ft / 8.1 ft	24 sq ft / 19 sq ft
WH II 9000W	3.0	Boost/Normal	18.2 ft / 13.9 ft	43 sq ft / 32 sq ft

### UNIT WEIGHT (LBS)

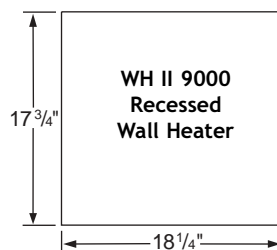
MODEL #	UNIT WEIGHT	WEIGHT PACKED
WH II 5000W	18	21
WH II 9000W	21	25

### FRICITION LOSS (HEAD)

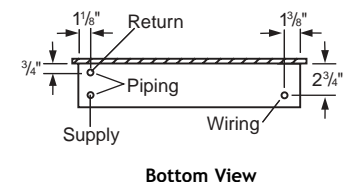
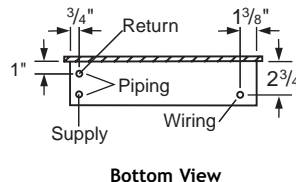
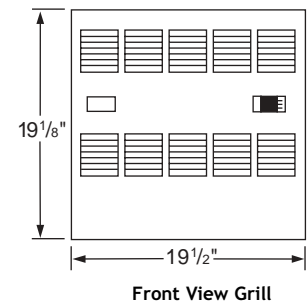
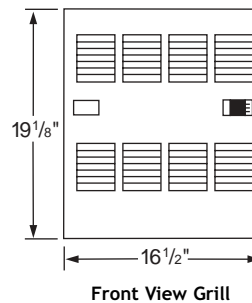
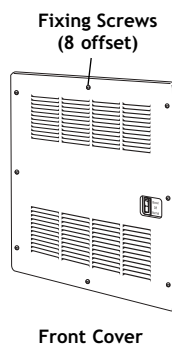
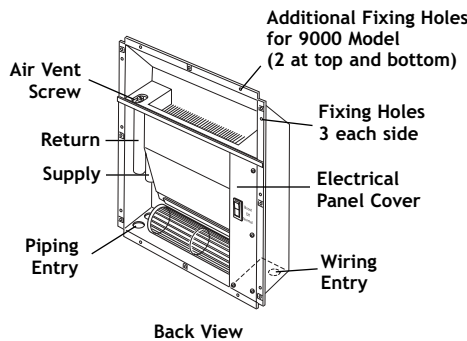
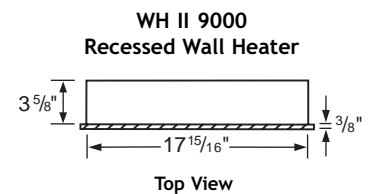
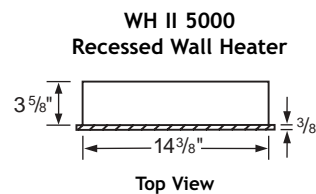
MODEL #	FLOW RATE GPM	FT WG
WH II 5000W	1.0 / 3.0	0.13 / 1.20
WH II 9000W	1.0 / 3.0	0.40 / 2.77



Wall Opening



Wall Opening



### WHISPA II RECESSED WALL FAN CONVECTOR SPECIFICATIONS – Engineered to be efficient.

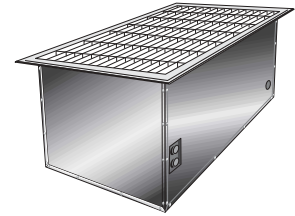
**Controls...** Units have a two-speed Boost/Off/Normal fan switch. For installations without a separate thermostat, all models have low-limit thermostats which close at 129° and reopen at 109° (± 7°F).

**Construction...** The chassis is manufactured from zinc-coated painted steel. The grill is hardened aluminum with a white, baked epoxy polyester finish for strength and durability.

**Warranty...** MYSON offers a full ten year warranty on the heat exchanger and a full three year warranty on the fan motor.

# WHISPA™ II

## A Recessed Floor Fan Convectors



### WHISPA II 5000 RECESSED FLOOR FAN CONVECTOR – BTU/HR HEAT OUTPUT – ENTERING AIR @ 65 °F

MODEL #	FLOW RATE GPM	FAN SPEED	AIR DELIVERY (CFM)	ENTERING WATER TEMPERATURE (°F)									
				110*	120*	130*	140	150	160	170	180	190	200
Whispa II 5000 FM	1.0	Boost	93	1,995	2,473	2,957	3,447	3,941	4,440	4,942	5,448	5,957	6,469
		Normal	62	1,597	1,972	2,350	2,731	3,115	3,601	3,889	4,279	4,671	5,064
Whispa II 5000 FM	3.0	Boost	93	2,200	2,728	3,262	3,803	4,348	4,898	5,462	6,010	6,572	7,136
		Normal	62	1,762	2,175	2,592	3,013	3,436	3,862	4,290	4,721	5,153	5,587

NOTE: For proper sizing, use the rating at Normal speed.

\*For output at these water temperatures, optional 120°F low temperature cut-off required.

### HEAT OUTPUT COMPARISON @ 180 °F WATER TEMP

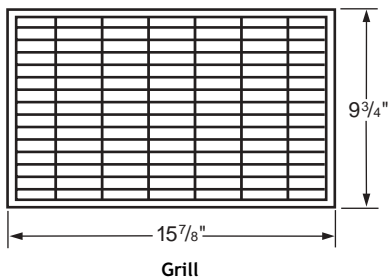
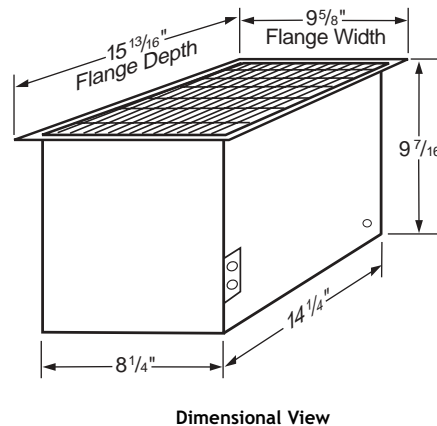
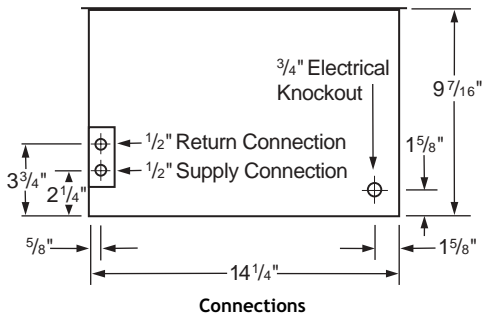
MODEL #	FLOW RATE GPM	FAN SPEED	BASEBOARD (525 BTU/FT)	C.I. RADIATORS (225 BTU/SQ FT)
WHISPA II	1	Boost/Normal	10.4 ft / 8.2 ft	24 sq ft / 19 sq ft
5000 FM	3	Boost/Normal	11.4 ft / 9.0 ft	26 sq ft / 21 sq ft

### UNIT WEIGHT (LBS)

MODEL #	UNIT WEIGHT	WEIGHT PACKED
WHISPA II		
5000 FM	15 lbs	18 lbs

### FRICTION LOSS (HEAD)

WHISPA II 5000	
GAL/MIN (GPM)	FT WG
1.0	0.3
3.0	3.5



NOTE: All connections accessible from the top of the unit.



### WHISPA II 5000 RECESSED FLOOR FAN CONVECTOR SPECIFICATIONS – Engineered to be efficient.

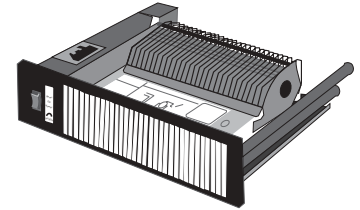
**Controls...** Units may be wired to a wall switch or thermostat. All models have low-limit thermostats which close at 129°F and reopen at 109°F (±7°F). Optional low temperature thermostat is available.

**Construction...** The chassis is manufactured from aluminum. The grill is mild steel with a baked epoxy polyester finish for strength and durability. Available in classic beige.

**Warranty...** MYSON offers a full ten year warranty on the heat exchanger and a full three year warranty on the fan motor.

# WHISPA™ 50

## Kickspace Heaters from MYSON



### WHISPA 50 FAN CONVECTOR – BTU/HR HEAT OUTPUT – ENTERING AIR @ 65 °F

MODEL #	FLOW RATE GPM	FAN SPEED	AIR DELIVERY CFM	ENTERING WATER TEMPERATURE (°F)										
				110**	120**	130**	140	150	160	170	180	190	200	210
WH 50	1.0	Boost	46	1,135	1,372	1,606	1,839	2,070	2,299	2,527	2,754	2,980	3,204	3,428
		Normal	38	917	1,145	1,377	1,612	1,850	2,093	2,336	2,583	2,833	3,083	3,336
	3.0	Boost	46	1,305	1,578	1,847	2,115	2,380	2,644	2,906	3,167	3,427	3,685	3,942
		Normal	38	931	1,225	1,473	1,725	1,980	2,239	2,500	2,764	3,031	3,299	3,570

MYSON reserves the right to make changes or improvements to our products which may affect these specifications.

\*\*For output at these water temperatures, optional 107° low temperature cutoff required.

NOTE: For proper sizing, use the rating at Normal speed.

### KICKSPACE COMPARISON @ 180 °F WATER TEMP

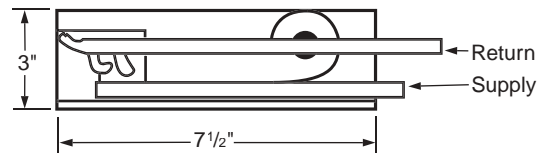
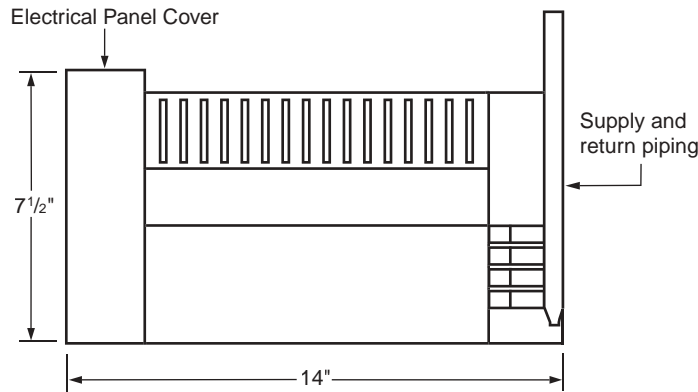
MODEL #	GPM	SPEED	BASEBOARD (525 BTU/FT)	C.I. RADIATORS (225 BTU/SQ FT)
WH 50	3	Boost / Normal	6.0 ft / 5.3 ft	14 sq ft

### UNIT WEIGHT (LBS)

MODEL #	UNIT WEIGHT	PACKED WEIGHT
WH 50	9	11

### FRICTION LOSS (HEAD)

GAL/MIN(GPM)	FT. WG
1.0	0.9
3.0	3.3



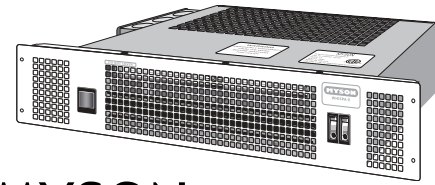
### WHISPA 50 KICKSPACE FAN CONVECTOR SPECIFICATIONS – Engineered to be efficient.

**Controls...** Units have a two-speed Boost/Off/Normal fan switch. For installations without a separate thermostat, all models have low-limit thermostats which close at 129°F and reopen at 109°F (±7°F).

**Construction...** The chassis is manufactured from zinc-coated painted steel. The grill is hardened aluminum for strength and durability.

**Warranty...** MYSON offers a full ten year warranty on the heat exchanger and a full three year warranty on the fan motor.

# WHISPA™ E



## Electric Kickspace Heater from MYSON

### WHISPA E KICKSPACE HEATER COMPARISON TO BASEBOARDS & RADIATORS\*

MODEL	SETTINGS	V/Hz	WATTS	BTUs	AMPS	BASEBOARD (525 BTU/FT)	C.I. RADIATORS (225 BTU/SQ FT)
EWH	High	110V/60Hz	1600	5,462	13	10.4 ft.	24.3 sq. ft.
	Low	110V/60Hz	800	2,731	6.5	5.2 ft.	12.1 sq. ft.

\*For comparison, a water temperature of 180° F has been assumed.

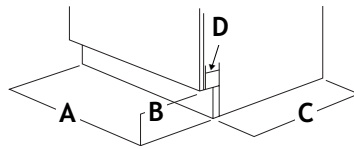
NOTE: For proper sizing, use the rating at Medium or Low speeds.

### UNIT WEIGHT

MODEL	UNIT WEIGHT	WEIGHT PACKED
EWH	8.1 lbs	10 lbs

### INSTALLATION DIMENSIONS

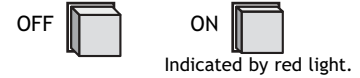
A	Width	20"
B	Height	4" (min.)
C	Depth	16"
D	Base Shelf Overhang	1"



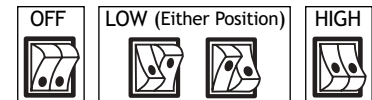
Be sure to provide sufficient space around the unit to allow for adequate air circulation.

### CONTROLS

#### Power/Fan Settings:

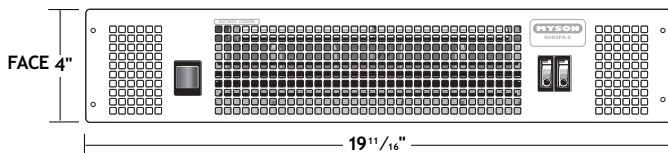


#### Heater Settings:

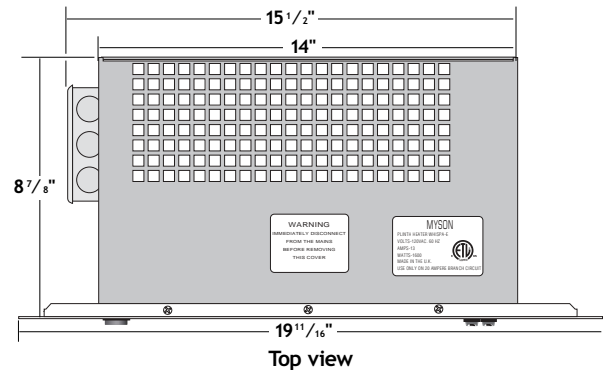


### WHISPA E KICKSPACE HEATER DIMENSIONS

Model # EWH



Front view with unit height



Top view



### WHISPA E ELECTRIC KICKSPACE HEATER SPECIFICATIONS – Engineered to be efficient.

**Fan Unit...** A highly efficient 110 cfm tangential fan extends the full width of the heating element, giving extremely quiet, trouble-free operation. All units have aluminum fans, sealed motor bearings, and permanently lubricated bearings.

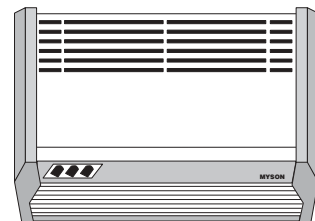
**Controls...** Units have a lighted fan switch to indicate power "ON." Heat is controlled using a dual rocker switch – both switches "OFF" for fan only, either switch "ON" for 800 Watts (Low), and both switches "ON" for 1600 Watts (High). Each unit has a high temperature limit switch to shut off power in the event of excessive temperature resulting from restricted airflow.

**Construction...** The chassis is manufactured from zinc-coated painted steel. The grill is hardened aluminum for strength and durability.

**Electrical connections...** Wiring connections are supplied through the rear of each unit. Motor is 110V, 60Hz and is ETL listed. Dual heating elements draw a total of 15 amps on the high setting.

# Hi-Line™

## Fan Convector from MYSON



### HI-LINE FAN CONVECTORS – BTU/HR HEAT OUTPUT – ENTERING AIR @ 65 °F

MODEL #	FLOW RATE GPM <sup>1</sup>	FAN SPEED	AIR DELIVERY CFM	ENTERING WATER TEMPERATURE (°F)									
				110**	120**	130**	140	150	160	170	180	190	200
20-14	3.0	Boost	197	6,940	8,569	10,213	11,870	13,538	15,217	16,904	18,600	20,303	22,013
		Normal	102	4,141	5,118	6,104	7,099	8,101	9,109	10,123	11,143	12,168	13,197
15-10	3.0	Boost	164	5,778	7,140	8,516	9,903	11,300	12,706	14,120	15,542	16,970	18,405
		Normal	90	3,224	3,985	4,755	5,531	6,313	7,100	7,892	8,688	9,488	10,292
10-6	3.0	Boost	106	3,578	4,422	5,276	6,137	7,005	7,878	8,757	9,640	10,528	11,419
		Normal	64	2,397	2,963	3,535	4,112	4,694	5,280	5,869	6,461	7,056	7,654
7-4	3.0	Boost	55	1,912	2,364	2,821	3,281	3,746	4,213	4,683	5,156	5,631	6,108
		Normal	34	1,357	1,678	2,003	2,331	2,662	2,994	3,329	3,666	4,004	4,345

<sup>1</sup>NOTE: Correction factor for 1.0 gpm, multiply by 0.87

NOTE: For proper sizing, use the rating at Normal speed.

\*\*For output at these water temperatures, optional 107° low temperature cut-off required.

MYSON reserves the right to make changes or improvements to our products which may affect these specifications.

### FAN CONVECTOR COMPARISON @ 180 °F WATER TEMP

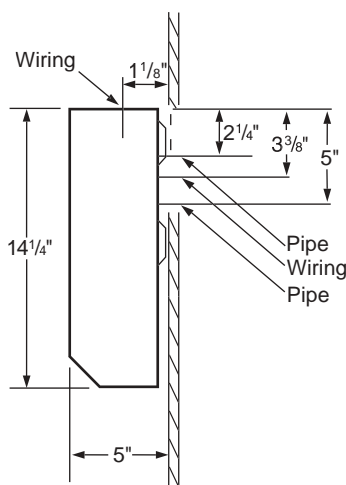
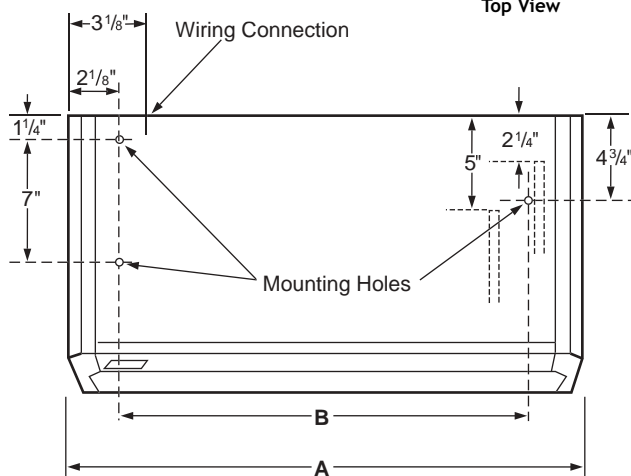
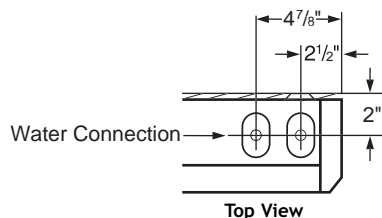
MODEL #	FLOW RATE GPM	FAN SPEED	BASEBOARD (525 BTU/FT)	C.I. RADIATORS (225 BTU/SQ FT)
20-14	3.0	Boost/Normal	35/21 ft	83/50 sq ft
15-10	3.0	Boost/Normal	30/17 ft	69/39 sq ft
10-6	3.0	Boost/Normal	18/12 ft	43/29 sq ft
7-4	3.0	Boost/Normal	10/7 ft	23/16 sq ft

### UNIT WEIGHT (LBS)

MODEL #	UNIT WEIGHT	WEIGHT PACKED
20-14	33.5	37.5
15-10	27.0	31.0
10-6	18.5	22.0
7-4	14.5	17.5

### FRICION LOSS (HEAD)

MODEL #	FT WG	
	1 GPM	3 GPM
20-14	0.58	2.68
15-10	0.45	2.08
10-6	0.27	1.57
7-4	0.22	1.36



### DIMENSIONS

MODEL #	A	B
20-14	46 1/4"	43 1/2"
15-10	36"	30 3/4"
10-6	25 1/2"	20 3/16"
7-4	20 5/8"	15 3/8"



NOTE: For surface mounting application only.

NOTE: Piping and wiring openings are accessible from either top or back.

### HI-LINE FAN CONVECTOR SPECIFICATIONS – Engineered to be efficient.

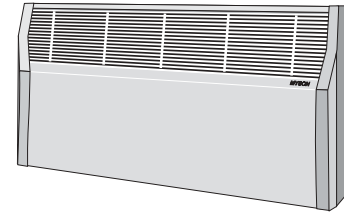
**Controls...** Units have a two-speed Boost/Off/Normal fan switch. For installations without a separate thermostat, all models have low-limit thermostats which close at 129 °F and reopen at 109 °F (±7 °F).

**Construction...** The chassis is manufactured from zinc-coated painted steel.

**Warranty...** MYSON offers a full ten year warranty on the heat exchanger and a full three year warranty on the fan motor.

# Lo-Line™

## Fan Convector from MYSON



### LO-LINE FAN CONVECTORS – BTU/HR HEAT OUTPUT – ENTERING AIR @ 65 °F

MODEL #	FLOW RATE GPM <sup>1</sup>	FAN SPEED	AIR DELIVERY (CFM)	ENTERING WATER TEMPERATURE (°F)									
				110**	120**	130**	140	150	160	170	180	190	200
19-15	3.0	Boost	221	8,715	10,560	12,392	14,212	16,021	17,821	19,613	21,398	23,176	24,948
		Medium	179	7,026	8,513	9,989	11,454	12,912	14,361	15,805	17,242	18,674	20,101
		Low	132	5,647	6,841	8,027	9,204	10,374	11,539	12,698	13,852	15,002	16,148
14-10	3.0	Boost	186	7,118	8,624	10,118	11,602	13,077	14,544	16,004	17,458	18,908	20,352
		Medium	138	5,812	7,041	8,260	9,471	10,674	11,872	13,063	14,250	15,432	16,610
		Low	94	4,846	5,870	6,885	7,893	8,896	9,893	10,885	11,873	12,857	13,838
9-6	3.0	Boost	96	4,637	5,617	6,589	7,554	8,513	9,488	10,417	11,363	12,305	13,244
		Medium	69	4,196	5,081	5,959	6,831	7,698	8,559	9,417	10,271	11,122	11,969
		Low	52	3,642	4,410	5,173	5,930	6,682	7,431	8,175	8,917	9,656	10,392
6-4	3.0	Boost	60	2,815	3,418	4,017	4,614	5,207	5,799	6,388	6,976	7,562	8,146
		Medium	42	2,382	2,885	3,383	3,878	4,370	4,859	5,345	5,830	6,313	6,793
		Low	28	2,040	2,470	2,896	3,319	3,739	4,157	4,572	4,986	5,398	5,809

<sup>1</sup>NOTE: Correction factor for 1.0 gpm, multiply by 0.87

\*\*For output at water temperatures below 140°F, optional 107°F low temperature cut-off required.

NOTE: For proper sizing, use the rating at Medium or Low speeds.

#### FAN CONVECTOR COMPARISON @ 180 °F WATER TEMP

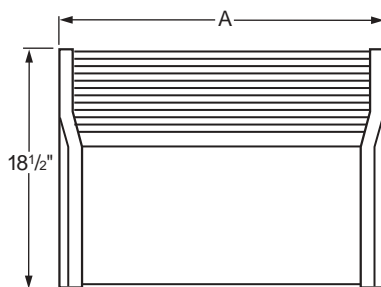
MODEL #	FAN SPEED	BASEBOARD (525 BTU/FT)	C.I. RADIATORS (225 BTU/SQ FT)
19-15	Boost/Med/Low	41/33/26 ft	95/77/61 sq ft
14-10	Boost/Med/Low	33/27/23 ft	78/64/53 sq ft
9-6	Boost/Med/Low	22/20/17 ft	51/46/40 sq ft
6-4	Boost/Med/Low	13/11/10 ft	31/26/22 sq ft

#### UNIT WEIGHT (LBS)

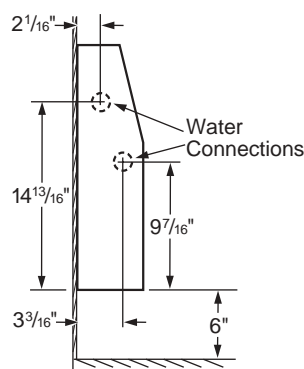
MODEL #	UNIT WEIGHT	PACKED WEIGHT
19-15	35.5	38.5
14-10	30.0	33.0
9-6	21.0	24.5
6-4	16.5	20.0

#### FRICTION LOSS (HEAD)

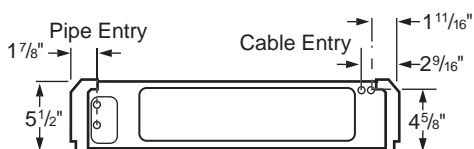
MODEL #	FT WG	
	0.5 GPM	1.25 GPM
19-15	0.6	3.0
14-10	0.4	2.4
9-6	0.4	2.3
6-4	0.4	2.1



Front View



Side View



Bottom View

NOTE: For surface mounting application only.

#### DIMENSIONS

MODEL #	A
19-15	45 1/8"
14-10	35 9/16"
9-6	25"
6-4	20 3/16"



### LO-LINE FAN CONVECTOR SPECIFICATIONS - Engineered to be efficient.

**Controls...** Units have a three-speed Boost/Medium/Low fan switch and built-in thermostat. All models have low-limit thermostats which close at 129°F and reopen at 109°F (±7°F).

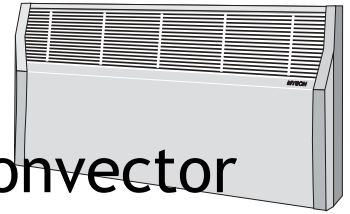
**Construction...** The chassis is manufactured from zinc-coated painted steel.

**Tamper-Proof Controls Cover...** All units include a tamper-proof controls cover which conceals all electrical controls from unauthorized usage.

**Warranty...** MYSON offers a full ten year warranty on the heat exchanger and a full three year warranty on the fan motor.

# Lo-Line™ HC

## Heating and Cooling from a Single Convector



### LO-LINE HC FAN CONVECTORS – BTU/HR HEAT OUTPUT – ENTERING AIR @ 65 °F

MODEL #	FLOW RATE GPM <sup>1</sup>	POWER WATTS	FAN SPEED	AIR DELIVERY (CFM)	ENTERING WATER TEMPERATURE (°F)									
					110**	120**	130**	140	150	160	170	180	190	200
HC 19-15	3.0	60	Boost	221	7,817	9,654	11,525	13,429	15,357	17,316	19,305	21,324	23,372	25,448
			Medium	179	6,381	7,871	9,385	10,924	12,487	14,074	15,683	17,315	18,969	20,645
			Low	132	5,064	6,246	7,447	8,668	9,908	11,166	12,443	13,738	15,049	16,374
HC 14-10	3.0	60	Boost	186	6,383	7,886	9,418	10,979	12,569	14,187	15,832	17,504	19,203	20,928
			Medium	138	5,237	6,468	7,722	8,999	10,299	11,618	12,954	14,309	15,685	17,080
			Low	94	4,376	5,399	6,440	7,498	8,573	9,664	10,772	11,896	13,036	14,191
HC 9-6	3.0	40	Boost	96	4,209	5,198	6,207	7,233	8,279	9,342	10,416	11,506	12,613	13,735
			Medium	69	3,836	4,732	5,644	6,572	7,514	8,471	9,442	10,427	11,426	12,438
			Low	52	3,331	4,109	4,900	5,703	6,519	7,346	8,186	9,038	9,902	10,775
HC 6-4	3.0	25	Boost	60	2,518	3,110	3,714	4,329	4,956	5,593	6,241	6,899	7,569	8,246
			Medium	42	2,133	2,635	3,147	3,668	4,199	4,739	5,288	5,846	6,413	6,985
			Low	28	1,821	2,250	2,688	3,134	3,589	4,052	4,522	5,001	5,487	5,981

<sup>1</sup>NOTE: Correction factor for 1.0 gpm, multiply by 0.87

\*\*For output at water temperatures below 140°F, optional 107°F low temperature cut-off required.

NOTE: For proper sizing, use the rating at Medium or Low speeds.

### FAN CONVECTOR COMPARISON @ 180 °F WATER TEMP

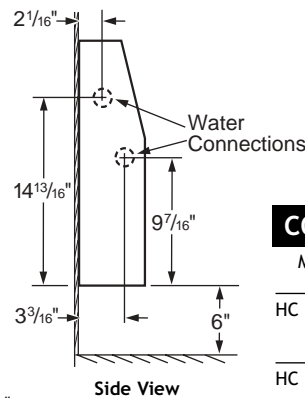
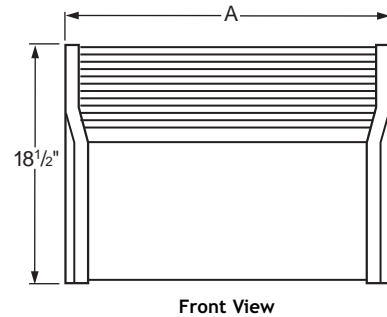
MODEL #	FAN SPEED	BASEBOARD (525 BTU/FT)	C.I. RADIATORS (225 BTU/SQ FT)
HC 19-15	Boost/Med/Low	41/33/26 ft	95/77/61 sq ft
HC 14-10	Boost/Med/Low	33/27/23 ft	78/64/53 sq ft
HC 9-6	Boost/Med/Low	22/20/17 ft	51/46/40 sq ft
HC 6-4	Boost/Med/Low	13/11/10 ft	31/26/22 sq ft

### UNIT WEIGHT (LBS)

MODEL #	UNIT WEIGHT	WEIGHT PACKED
HC 19-15	35.5	38.5
HC 14-10	30.0	33.0
HC 9-6	21.0	24.5
HC 6-4	16.5	20.0

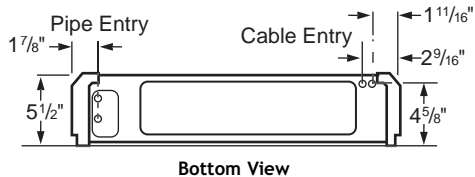
### FRICTION LOSS (HEAD)

MODEL #	FT WG	
	0.5 GPM	1.25 GPM
HC 19-15	0.6	3.0
HC 14-10	0.4	2.4
HC 9-6	0.4	2.3
HC 6-4	0.4	2.1



### DIMENSIONS

MODEL #	A
HC 19-15	45 7/8"
HC 14-10	35 7/8"
HC 9-6	25"
HC 6-4	20 1/4"



NOTE: For surface mounting application only.

### COOLING MODE: ENTERING WATER/AIR TEMP. DIFF. °F

Model #	Flow Rate	Fan Speed	Latent* – BTU/hr			Sensible – BTU/hr		
			25°F	35°F	45°F	25°F	35°F	45°F
HC 19-15	3 gpm	Boost	6,430	10,638	15,488	5,239	6,263	7,157
		Medium	6,080	10,035	14,588	4,774	5,806	6,719
		Low	5,466	8,995	13,042	4,333	5,163	5,886
HC 14-10	3 gpm	Boost	4,932	8,088	11,706	4,166	5,075	5,882
		Medium	4,034	6,588	9,503	3,449	4,132	4,731
		Low	3,359	5,485	7,853	2,934	3,608	4,211
HC 9-6	3 gpm	Boost	2,662	4,314	6,187	2,169	3,013	3,849
		Medium	2,218	3,585	5,132	1,961	2,324	2,638
		Low	1,822	2,939	4,204	1,626	1,943	2,218
HC 6-4	3 gpm	Boost	1,810	2,921	4,178	1,459	2,026	2,590
		Medium	1,409	2,271	3,243	1,275	1,561	1,816
		Low	1,147	1,845	2,633	1,047	1,300	1,527

\*These figures are at 50% relative humidity.

### LO-LINE HC FAN CONVECTOR SPECIFICATIONS - Engineered to be efficient.

**Fan Unit...** A highly efficient tangential fan extends the full width of the heat exchanger, giving extremely quiet, trouble-free operation. All units have aluminum fans, sealed motor bearings, and permanently lubricated porous bronze sleeve fan bearings.

**Controls...** The Lo-Line Heater Cooler has a three speed fan, best controlled by a 110V AC heat/cool thermostat with 3-speed sub-base. (By others.)

**Heat Exchanger...** Fin tube heat exchanger is a manifold design with copper water conduits expanded to create firm contact with the surrounding aluminum fins. Special air turbulator design maximizes the rate of heat transfer. All units are hydraulically tested to 300 psi.

**Tamper-Proof Controls Cover...** All units include a tamper-proof controls cover which conceals all electrical controls from unauthorized usage.

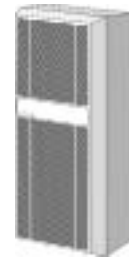
**Construction...** The chassis is manufactured from zinc-coated painted steel.

**Water Connections...** Supply and return are 1/2" copper to compression isolation valves in the lower left corner of the unit. An air vent(s) for bleeding the convector is easily accessed through the front of the unit with a screwdriver. No special key is needed.

**Warranty...** MYSON offers a full ten year warranty on the heat exchanger and a full three year warranty on the fan motor.

# Slim-Line™

## Fan Convector from MYSON



### SLIM-LINE FAN CONVECTOR – BTU/HR HEAT OUTPUT – ENTERING AIR @ 65 °F

MODEL #	FLOW RATE GPM	FAN SPEED	AIR DELIVERY CFM	ENTERING WATER TEMPERATURE (°F)									
				120*	130*	140	150	160	170	180	190	200	210
SL 16	1.0	Boost	186	5,663	6,657	7,661	8,664	9,668	10,572	11,678	12,680	13,684	14,687
		Medium	127	4,881	5,887	6,745	7,651	8,559	9,567	10,374	11,281	12,186	13,096
		Low	97	4,207	5,018	5,829	6,639	7,450	8,261	9,072	9,883	10,694	11,504
SL 16	3.0	Boost	186	7,404	8,719	10,034	11,349	12,663	13,978	15,293	16,608	17,923	19,237
		Medium	127	6,457	7,646	8,831	10,023	11,411	12,399	13,588	14,776	16,280	17,153
		Low	97	5,510	6,572	7,634	8,696	9,758	10,820	11,882	12,944	14,005	15,068

MYSON reserves the right to make changes or improvements to our products which may affect these specifications.

\*For output at these water temperatures, optional 107°F low temperature cut-off required.

NOTE: For proper sizing, use the rating at Medium or Low speeds.

#### FAN CONVECTOR COMPARISON @ 180 °F WATER TEMP

MODEL #	FLOW RATE GPM	FAN SPEED	BASEBOARD (525 BTU/FT)	C.I. RADIATORS (225 BTU/SQ FT)
SL 16	1.0	Boost	22 ft	52 sq ft
		Medium	20 ft	46 sq ft
		Low	17 ft	40 sq ft
SL 16	3.0	Boost	29 ft	68 sq ft
		Medium	26 ft	60 sq ft
		Low	23 ft	53 sq ft

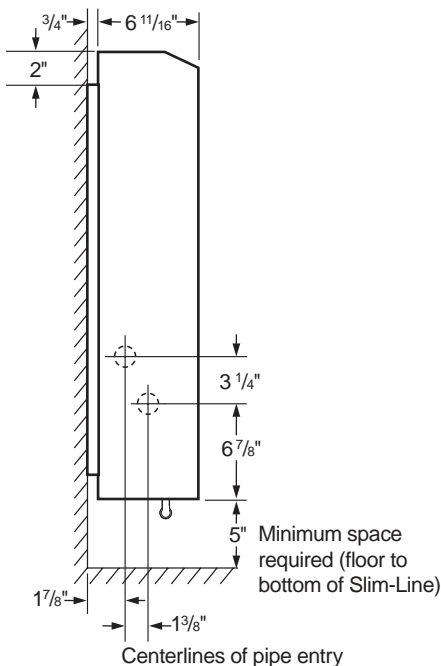
#### UNIT WEIGHT (LBS)

MODEL #	UNIT WEIGHT	WEIGHT PACKED
SL 16	35	38

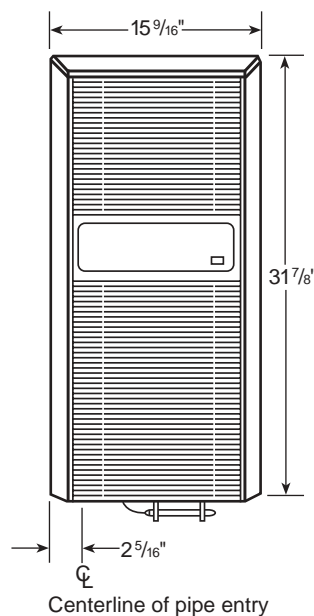
#### FRICTION LOSS (HEAD)

FLOW RATE GPM	FT WG
0.5	0.66
1.0	1.84
1.5	3.81
2.0	5.81

Slim-Line Fan Convector



Side View



Front View



NOTE: For surface mounting application only.

### SLIM-LINE FAN CONVECTOR SPECIFICATIONS - Engineered to be efficient.

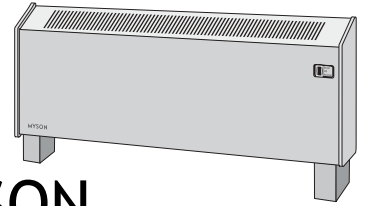
**Controls...** Units have a three-speed Boost/Medium/Low fan switch and built-in thermostat. All models have low-limit thermostats which close at 129 °F and reopen at 109 °F (±7 °F).

**Construction...** The chassis is manufactured from zinc-coated painted steel.

**Tamper-Proof Controls Cover...** All units include a tamper-proof controls cover which conceals all electrical connections from unauthorized usage.

**Warranty...** MYSON offers a full ten year warranty on the heat exchanger and a full three year warranty on the fan motor.

# CSU™



## Economical Fan Convector from MYSON

### CSU FAN CONVECTOR – BTU/HR HEAT OUTPUT – ENTERING AIR @ 65 °F

MODEL #	FLOW RATE GPM <sup>1</sup>	FAN SPEED	AIR DELIVERY CFM	ENTERING WATER TEMPERATURE (°F)									
				120**	130**	140	150	160	170	180	190	200	210
CSU-10M	3.0	Boost	99	2,437	3,226	4,173	5,195	6,040	6,852	7,763	8,659	9,500	10,341
		Normal	62	1,190	1,954	2,529	3,165	3,823	4,481	5,319	5,973	6,609	7,245
CSU-15M	3.0	Boost	91	1,928	3,886	4,994	6,102	7,203	8,715	10,331	11,947	14,000	15,053
		Normal	66	1,524	2,484	3,452	4,418	5,385	6,352	7,317	8,282	9,240	10,198
CSU-23M	3.0	Boost	129	4,400	6,481	8,573	10,665	12,750	14,838	16,947	19,027	21,000	23,235
		Normal	92	2,018	3,461	4,687	5,751	6,983	8,260	9,518	10,813	12,262	13,771

<sup>1</sup>Note: Correction factor for 1.0 gpm, multiply by 0.87

MYSON reserves the right to make changes or improvements to our products which may affect these specifications.

\*\*For output at these water temperatures, optional 107° low temperature cut-off required.

NOTE: For proper sizing, use the rating at Normal speed.

### FAN CONVECTOR COMPARISON @ 180 °F WATER TEMP

MODEL #	FLOW RATE GPM	FAN SPEED	BASEBOARD (525 BTU/FT)	C.I. RADIATORS (225 BTU/SQ FT)
CSU-10M	3.0	Boost/Normal	11/16 ft	27/38 sq ft
CSU-15M	3.0	Boost/Normal	16/23 ft	37/53 sq ft
CSU-23M	3.0	Boost/Normal	21/36 ft	48/85 sq ft

### UNIT WEIGHT (LBS)

MODEL #	UNIT WEIGHT	WEIGHT PACKED
CSU-10M	17	22
CSU-15M	22	28
CSU-23M	30	38

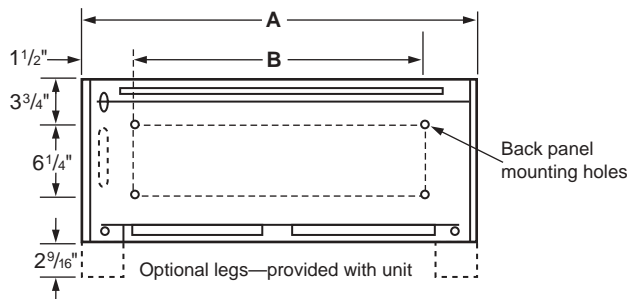
### FRICTION LOSS (HEAD)

MODEL #	FT WG	
	1 GPM	3 GPM
CSU-10M	0.45	2.58
CSU-15M	0.70	3.22
CSU-23M	0.78	3.66

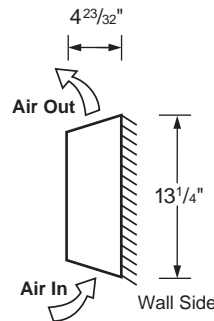
### CSU Fan Convector



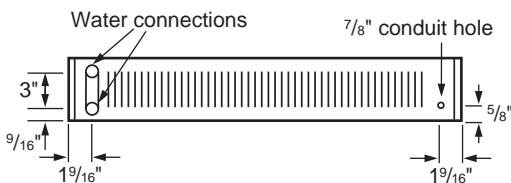
Top View



Front View



Side View



Bottom View

NOTE: For surface or floor mounting application only.

### CSU FAN CONVECTOR SPECIFICATIONS – Engineered to be efficient.

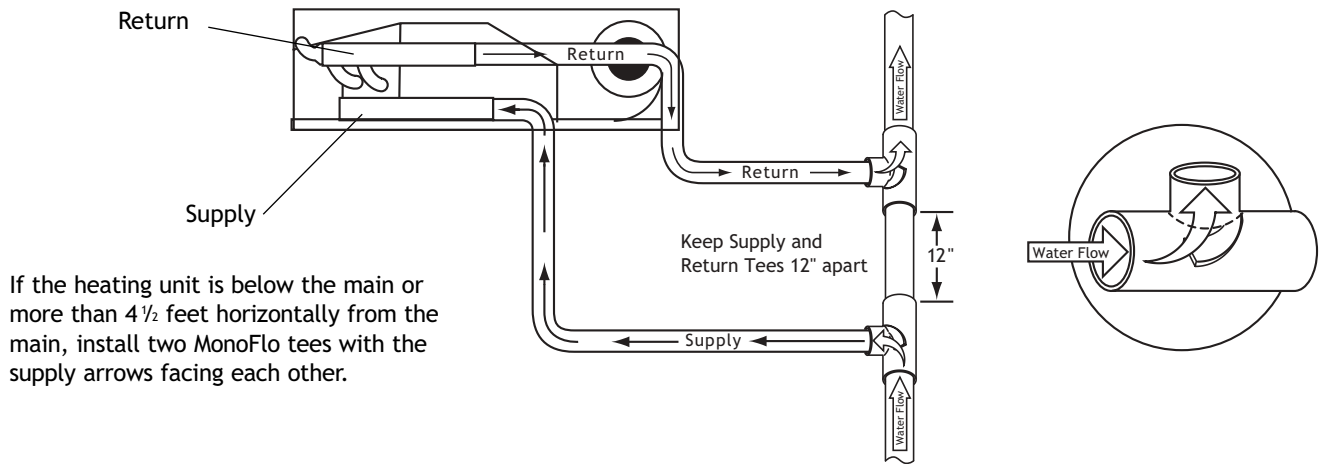
**Controls...** Units have a two speed Boost/Normal fan switch and built-in thermostat. All models have low-limit thermostats which close at 129°F and open at 109°F (± 7°F). Optional low temperature thermostat is available.

**Construction...** The chassis is manufactured from zinc coated steel with a baked epoxy polyester.

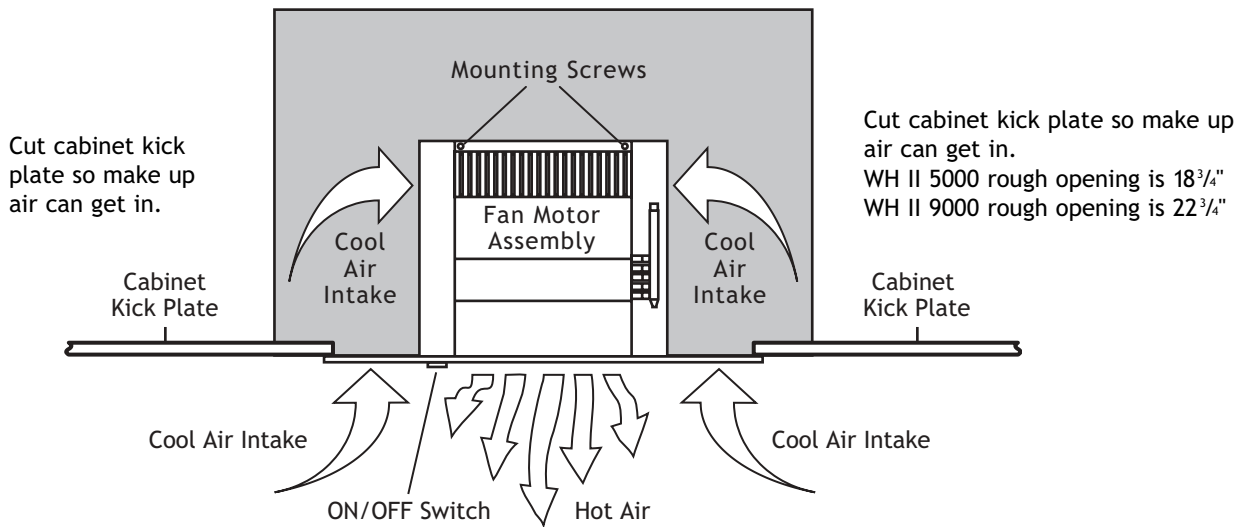
**Warranty...** MYSON offers a full ten year warranty on the heat exchanger and a full three year warranty on the fan motor.

# Kickspace Fan Convector Installation

1. A kickspace heater must have a free flow of air through the unit. We have designed our grills to allow for sufficient airflow. The opening in the kickspace must allow unrestricted airflow. (See drawing below.) Looking at the grill, you should not be able to see any part of the kickboard. **Failure to do so will cause the motor to overheat and void the warranty.**
2. The kickspace heater needs to be sized appropriately for the job. For proper sizing, use the ratings at normal speed. If the unit needs to be in the boost or high setting to heat the room adequately, then the kickspace heater is too small. Running the unit in boost or high for extended periods of time will shorten the motor fan assembly life.



If the heating unit is below the main or more than 4 1/2 feet horizontally from the main, install two MonoFlo tees with the supply arrows facing each other.



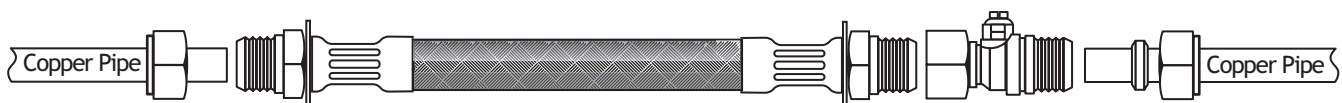
## MYSON EZ-Hose Kit

The MYSON EZ-Hose Kit is designed specifically for use with the WH II 5000 and WH II 9000 Kickspace Heaters. While it may be used for other hydronic products, MYSON will not be responsible for compatibility.

Components:

- 2 - 30" braided stainless steel hoses, 1/2" compression x 1/2" MPT
- 2 - Screwdriver slot ball valves, 1/2" compression x 1/2" FPT

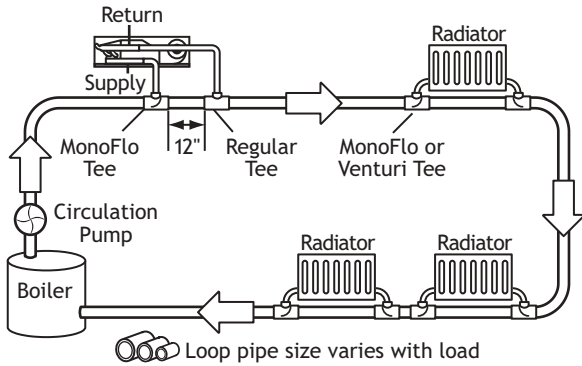
Assemble the male end of the hose to the female end of the ball valve using the recommended Loctite #565 thread sealant. Connect the compression end of the hoses to the stub-outs on the kickspace unit. Make sure that the return side hose is connected to the top stub-out so that air will be forced through the heat exchanger to where it can be removed at the air vent. Connect the compression ends of the ball valves to the appropriate supply and return pipes from the heating system.



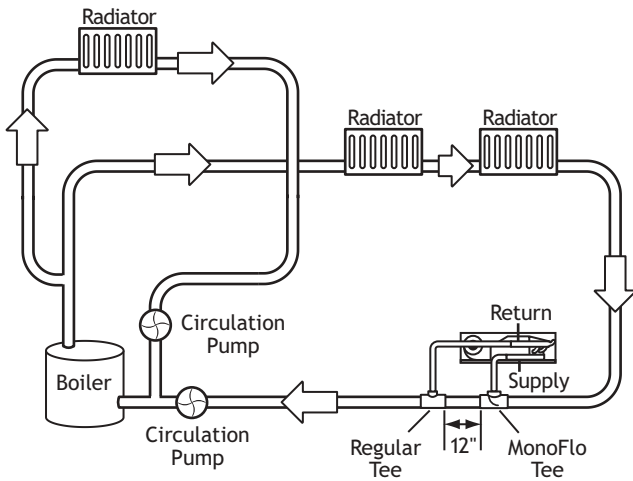
# Radiator and Fan Convactor Installation

## Optional Piping Arrangements

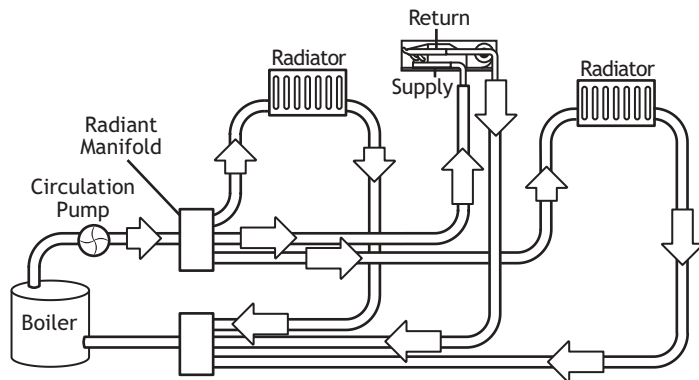
The following drawings are general examples. Consult a certified heating professional for your specific application. MYSON recommends TRV valves on all layouts except series loop system for maximum comfort and control of radiators. This does not apply to Fan Convectors.



**MonoFlo or One Pipe System** Acceptable for all MYSON heating applications, balancing valves required.



**Series Loop System** Not compatible with fan convectors. Limited to 15K btuh on panel radiators. A single Fan Convactor may be added using MonoFlo tees as shown.

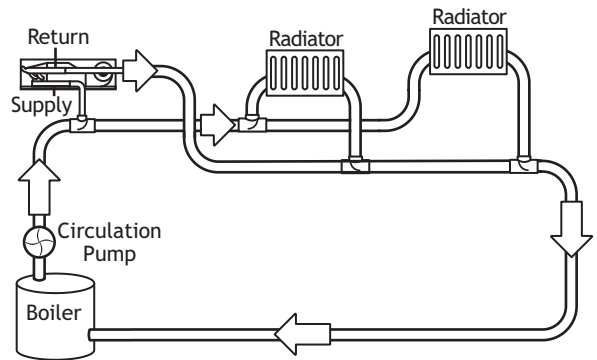


**Home Run System**

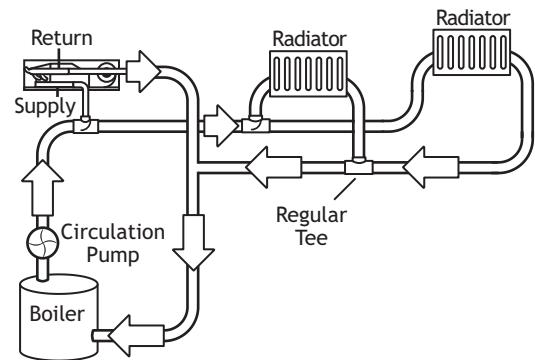
### General information on the use of MonoFlo tees:

- Scoop type is installed on the supply
- Venturi type is installed on the return
- If heating unit is below the main or more than 4 1/2 feet horizontally from the main, install two MonoFlo tees with the supply arrows facing each other

**Fan Convectors and Cast Iron Radiators** have different heating characteristics. Therefore, it is recommended that the Fan Convactor be on a separate controlled heating zone.



**Two Pipe Reverse Return System** Acceptable for all MYSON heating applications, balancing valves required when a Fan Convactor is used with radiators.



**Two Pipe Direct Return System** Acceptable for all MYSON heating applications, balancing valves required.

# The Limited Warranty

---

MYSON warrants the original purchaser that products manufactured and/or supplied by them will be free from defects in materials and workmanship under normal conditions of use, when properly installed and maintained in accordance with MYSON's instructions for a period of 36 months. During this warranty period, MYSON will, at its option, repair or replace any product, or part thereof, which shall be returned to the MYSON factory and determined by MYSON to be defective.

**THE PARTS WARRANTY:** MYSON warrants replacement parts, when properly installed and maintained for a period of 120 days from the date of purchase.

There are no warranties, expressed or implied, that extend beyond this warranty description. In no event will MYSON be liable for labor or consequential damages.



HEATING PRODUCTS

Myson, Inc.  
948 Hercules Drive  
Colchester, VT 05446  
800-698-9690 Fax: 802-654-7022  
[www.MysonInc.com](http://www.MysonInc.com)