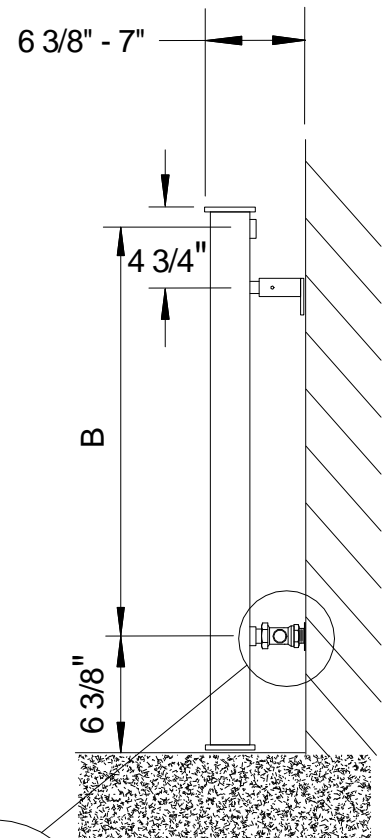
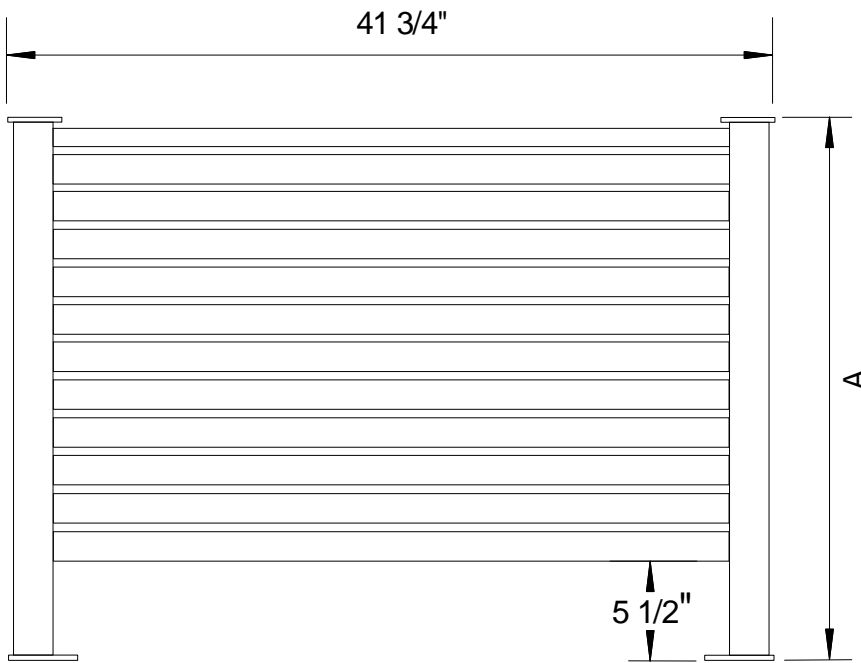
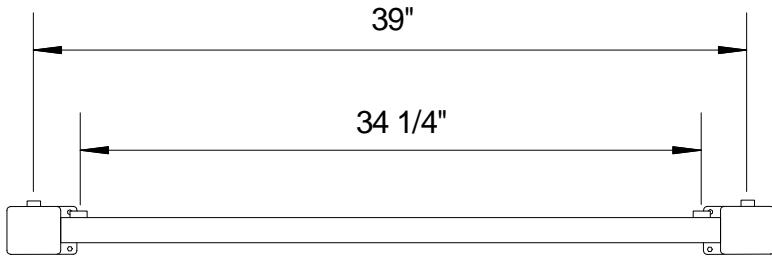




Nene NEN Decorative SS HYDRONIC

Technical Information

- . Flat Panel
- . Open or Closed Loop Installation
- . Stainless Steel Construction
- . 1/2" Copper / 1/2" NPT Rough-in
- . Lockshield Valves



MODEL	Dim "A"	Dim "B"	BTUH*	Wgt.(lbs)
NEN1	22 7/8"	15 1/2"	2225	42
NEN2	28 3/4"	21 3/8"	2903	48

*AWT = 155 Degrees Fahrenheit

NEN
No Scale
REV A 3/25/10