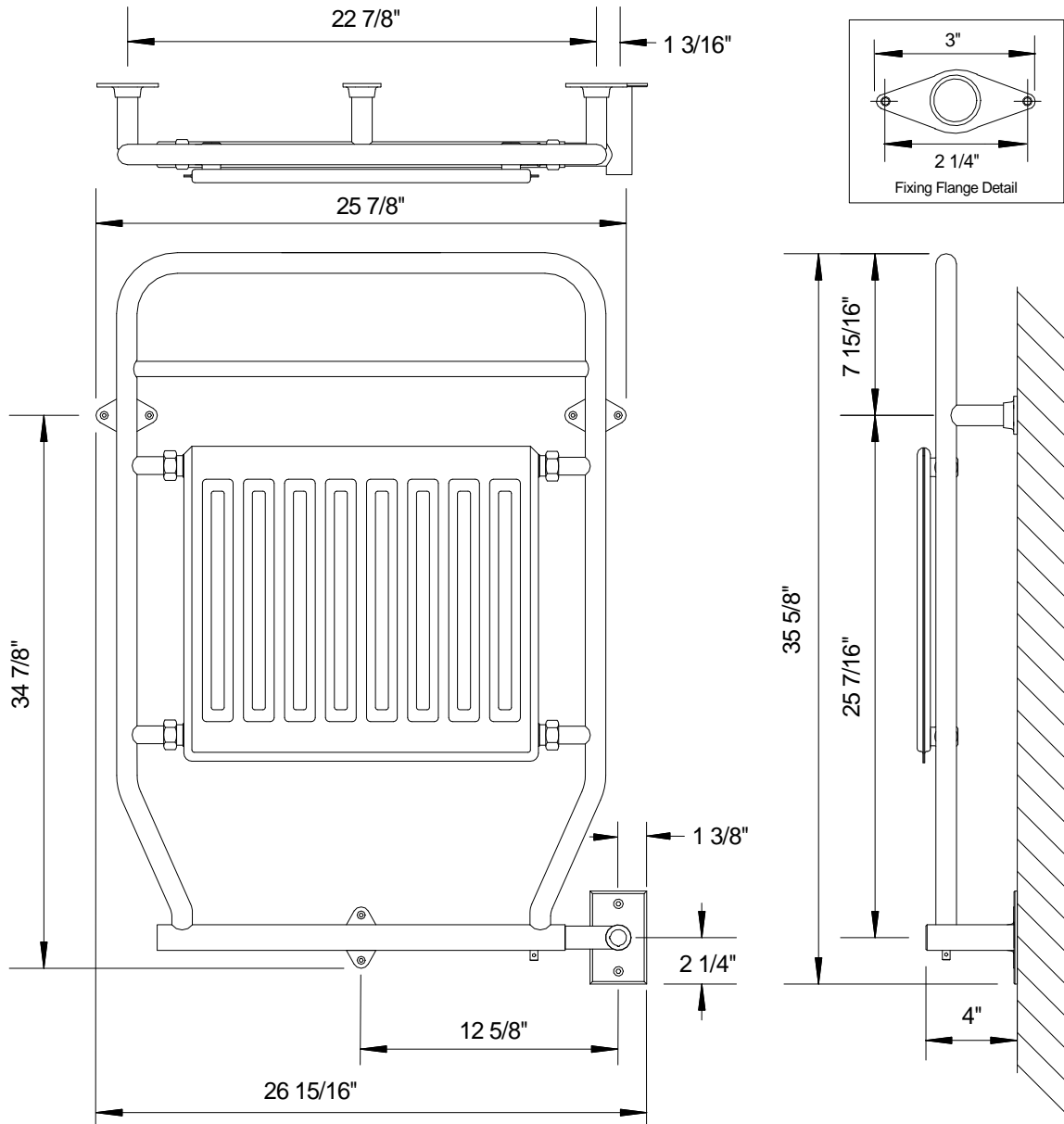




# Tamar WEO350 Classic ELECTRIC

## Technical Information

- . 120VAC 60Hz 190/300W 1.73/2.73A\*
- . 1" Tube Diameter
- . White Steel Radiator Core
- . Smart Thermo Control Element
- . Steel Construction



\*Represents draw at steady state. Power could be higher during warm up.  
Lower value = Plated Finishes  
Higher Value = Painted Finishes

**WEO350**  
No Scale  
REV A 11/07/09