



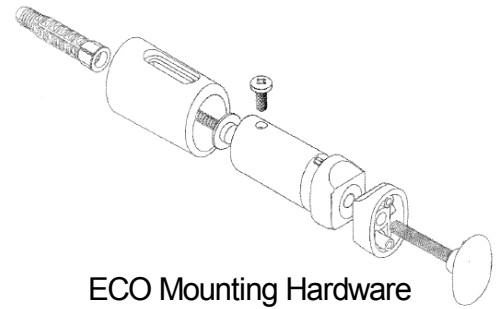
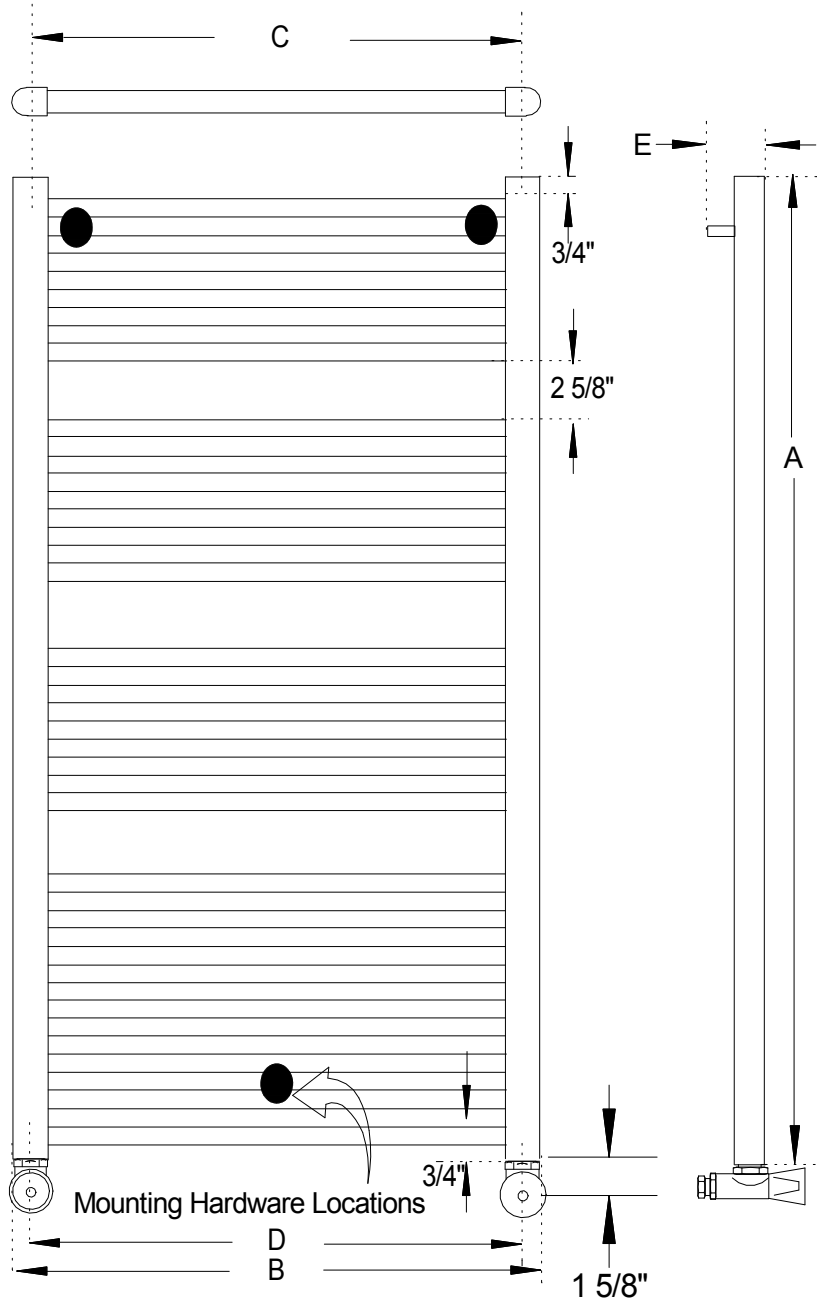
# MYSON

# Avonmore COS 125-126 Contemporary HYDRONIC

## COS 125-126 Technical Sheet

### Technical information

- . Frame D Shaped 1-1/2"
- . Horizontal 1"
- . 1/2" copper rough-in
- . Closed Loop System only



Model	A	B	C	D	E	BTU
COS125	48 1/4"	19 5/8"	17 3/4"	17 3/4"	4"	1804
COS126	48 1/4"	23 5/8"	21 5/8"	21 5/8"	4"	2120