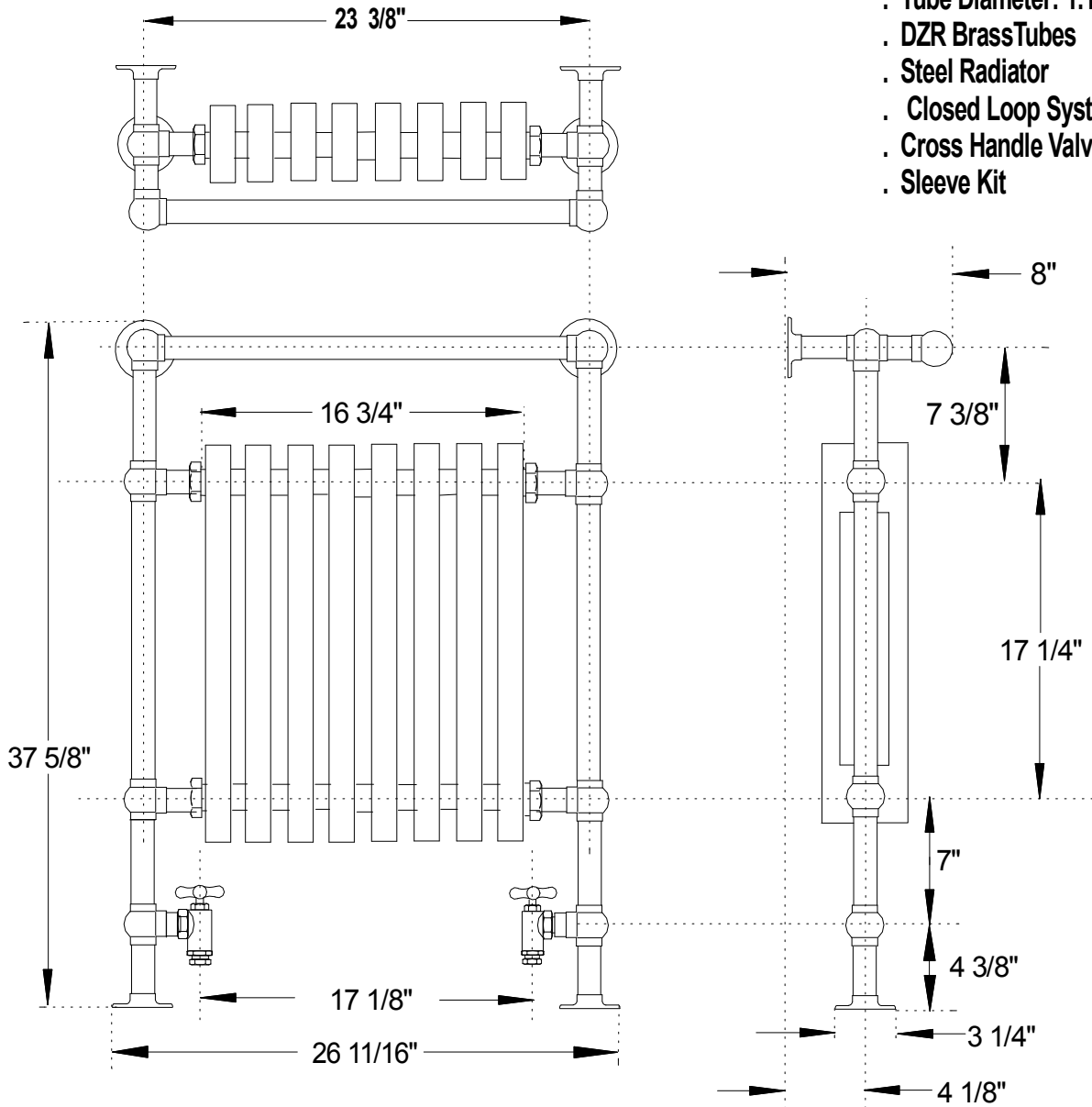




MYSON

Dee VR1 Traditional Hydronic

VR-1 Technical Sheet



Technical information

- . Rough in 3/4" copper
- . BTU: 3150 @ 150 Degree EWT
- . Tube Diameter: 1.1/4"
- . DZR Brass Tubes
- . Steel Radiator
- . Closed Loop System only
- . Cross Handle Valves
- . Sleeve Kit