



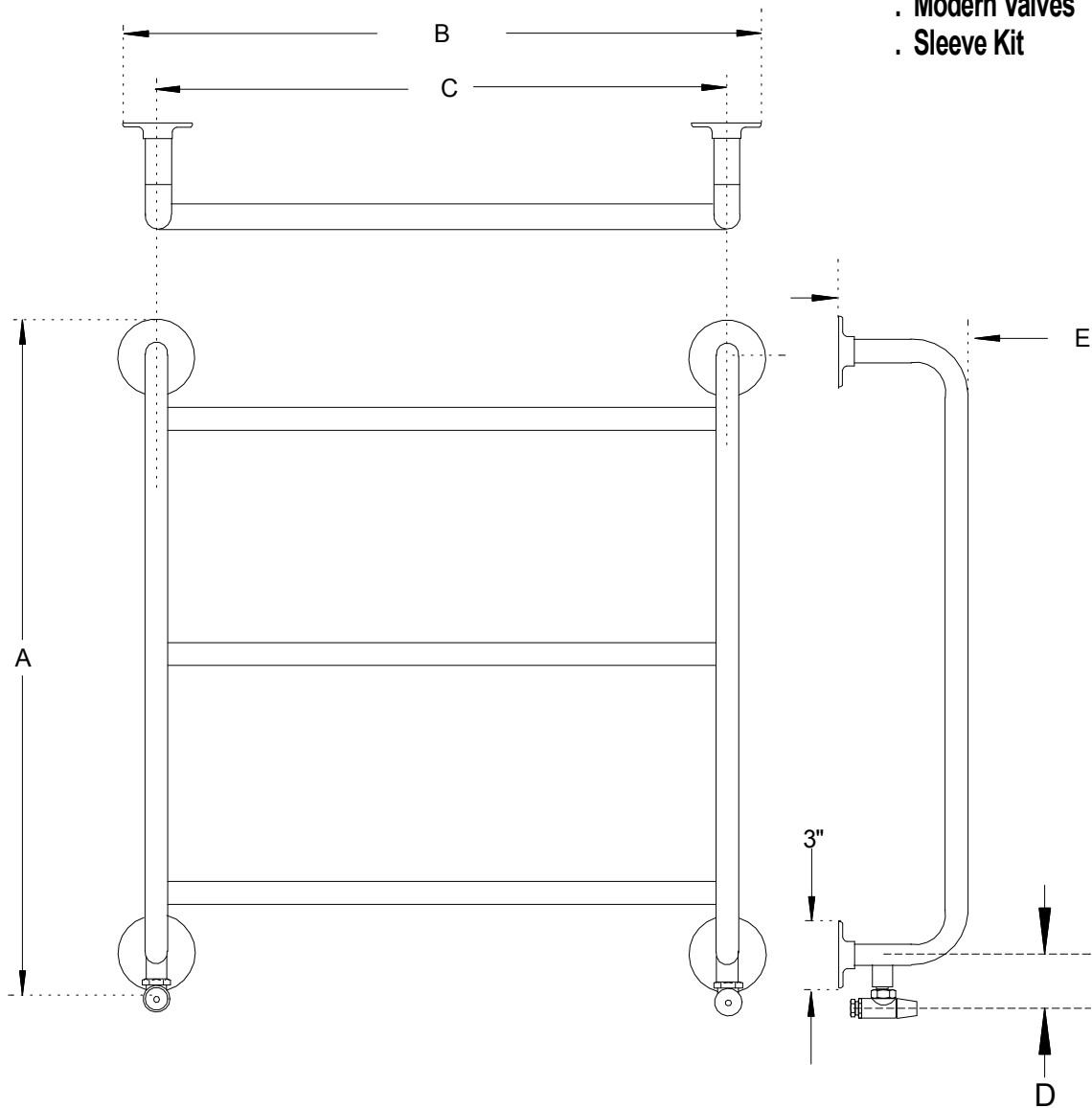
MYSON

Tweed CYG Classic Hydronic

Technical information 04/07

- . Rough in 3/4" copper
- . BTU: @ 150 Degree EWT
- . Tube Diameter: 1"
- . Dezincification Resistant Brass
- . Open or Closed Loop System
- . Modern Valves
- . Sleeve Kit

CYG Technical Sheet



Model	A	B	C	D	E	BTU	Tube Dia
CYG 14/1	27"	27"	24"	3 1/8"	5 1/2"	295	1"
CYG 14/2	27"	33"	30"	3 1/8"	5 1/2"	346	1"