



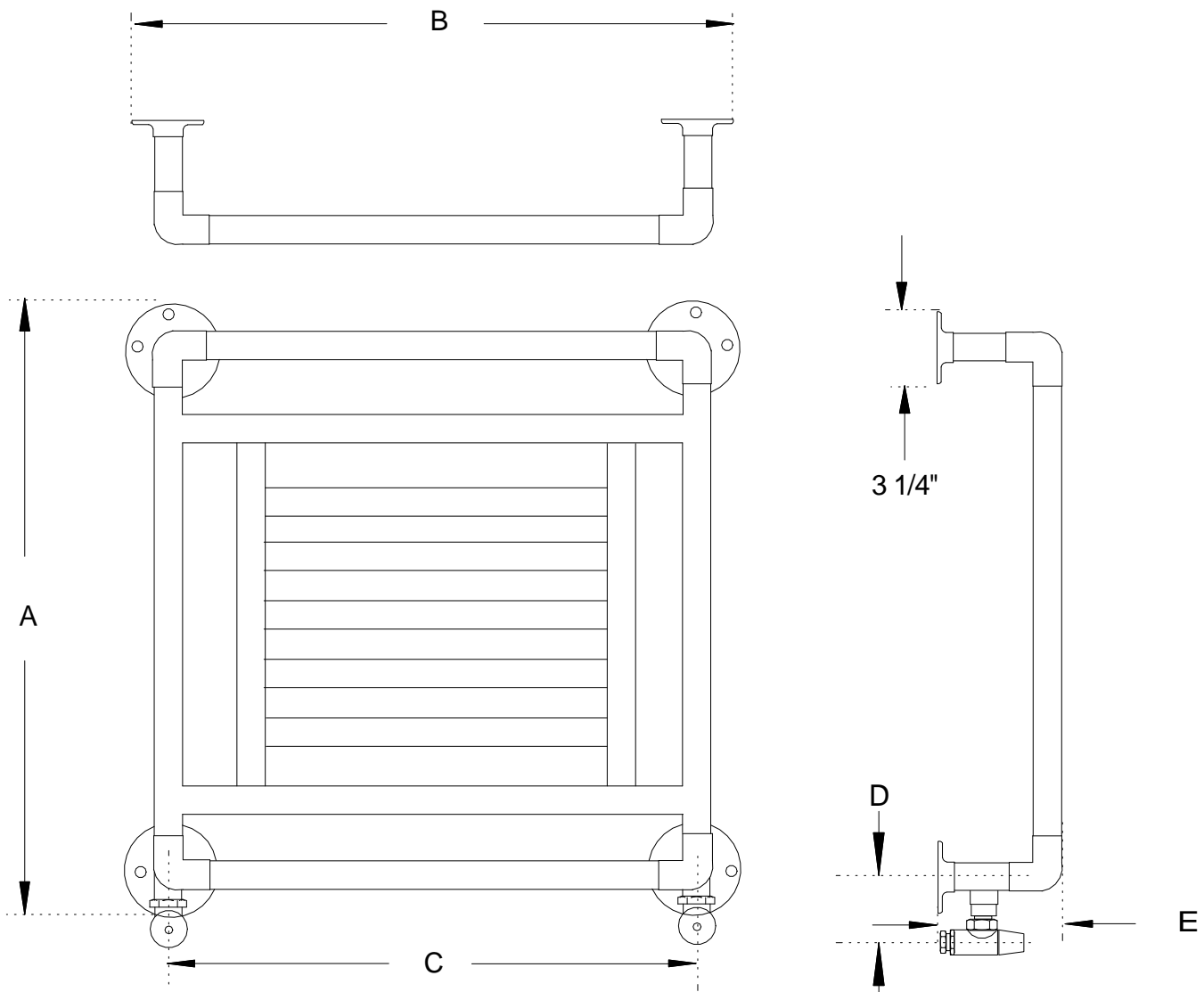
**MYSON**

**Witham S11**  
**Classic**  
Hydronic

*Technical information 04/07*

- . Rough in 3/4" copper
- . Tube Diameter: 1.1/4"
- . Dezincification Resistant Brass
- . Open or Closed Loop System
- . Modern Valves
- . Sleeve Kit

**S11 Technical Sheet**



Model	A	B	C	D	E	BTU	Tube Dia
<b>S11/1</b>	27 1/4"	27 1/4"	24"	3 1/8"	5 3/8"	1143	1 1/4"
<b>S11/2</b>	33 1/4"	33 1/4"	30"	3 1/8"	5 3/8"	1238	1 1/4"